



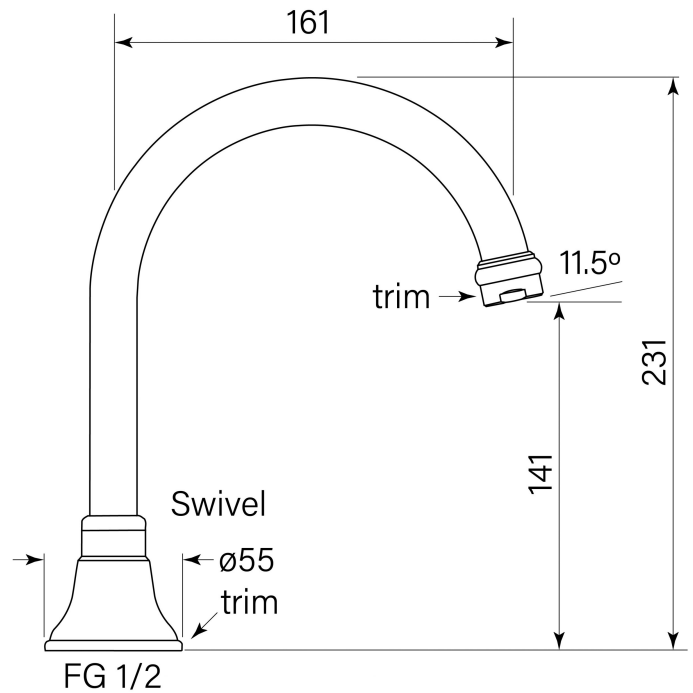
PRODUCT SPECIFICATION

34189

CASCADE SINK OUTLET, HOB

FEATURES

- WELS 4\* 7.5 lpm
- Swivel spout 161 mm reach
- WELS registration number T20689 / T20689 (V)



**BATHROOM COLLECTIVE**

Phone Number: (02) 9011-5711