



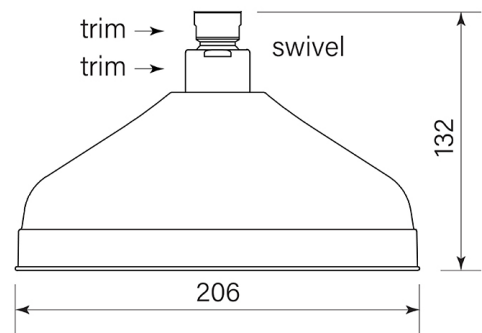
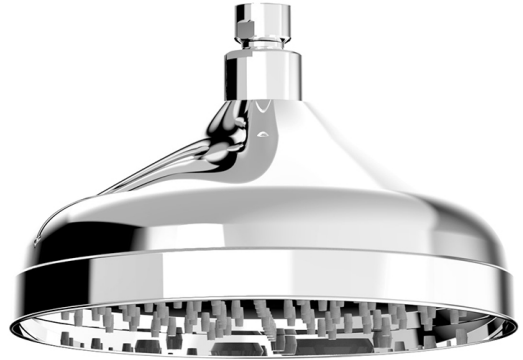
PRODUCT SPECIFICATION

34367

SPARES - CASCADE SHOWER HEAD, 200

FEATURES

- 206 mm shower head
- Swivel ball joint
- Silicone spray nozzles
- WELS registration number S17024



BATHROOM COLLECTIVE

Phone Number: (02) 9011-5711