



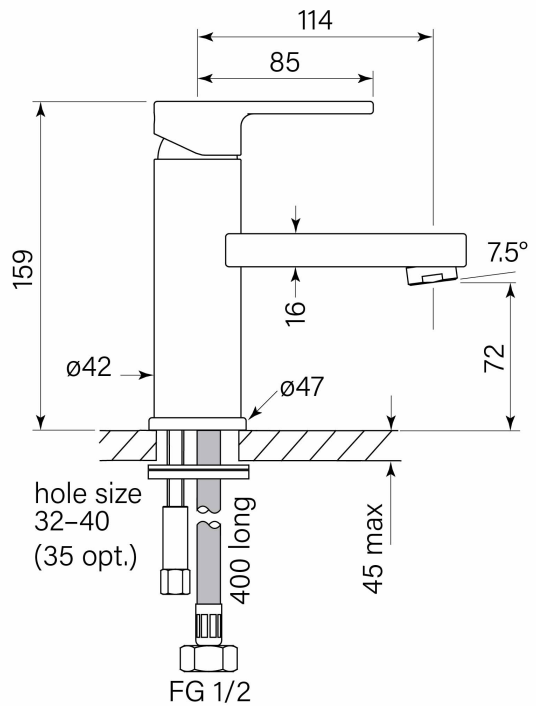
PRODUCT SPECIFICATION

35100

ZEOS BASIN MIXER

FEATURES

- Solid brass handle
- WELS 5* 6 lpm
- Reach 114 mm
- 2 stage flow step cartridge
- Tap hole 32 - 40 mm
- WELS registration number T41025
- To upgrade to the No Pin Handle, order either 34382 smooth, or 34383 knurled handle along with this mixer and we will supply assembled



BATHROOM COLLECTIVE

Phone Number: (02) 9011-5711