



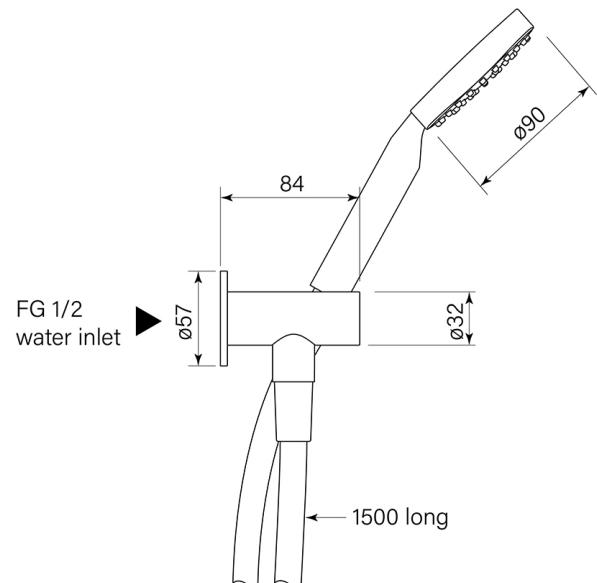
PRODUCT SPECIFICATION

35116

ZEOS HAND SHOWER ON ADJUSTABLE HOOK

FEATURES

- WELS 3* 9 lpm
- Slim 90mm square brass hand shower
- Clasp with adjustable angle
- WELS registration number S17025



BATHROOM COLLECTIVE

Phone Number: (02) 9011-5711