



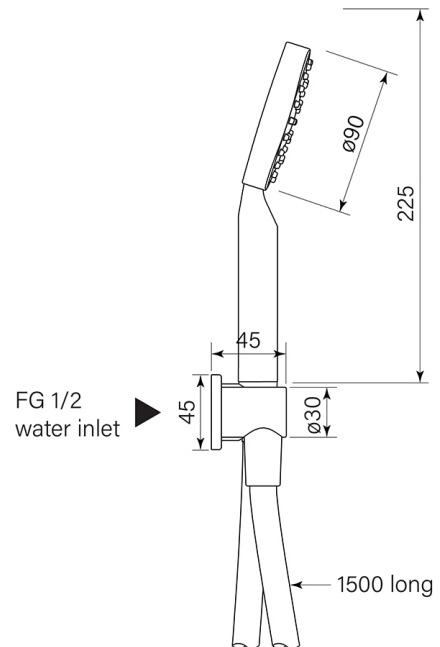
PRODUCT SPECIFICATION

35117

ZEOS HAND SHOWER ON HOOK

FEATURES

- WELS 3\* 9 lpm
- Slim 90mm square brass hand shower
- Fixed Hook
- WELS registration number S17028



**BATHROOM COLLECTIVE**

Phone Number: (02) 9011-5711