

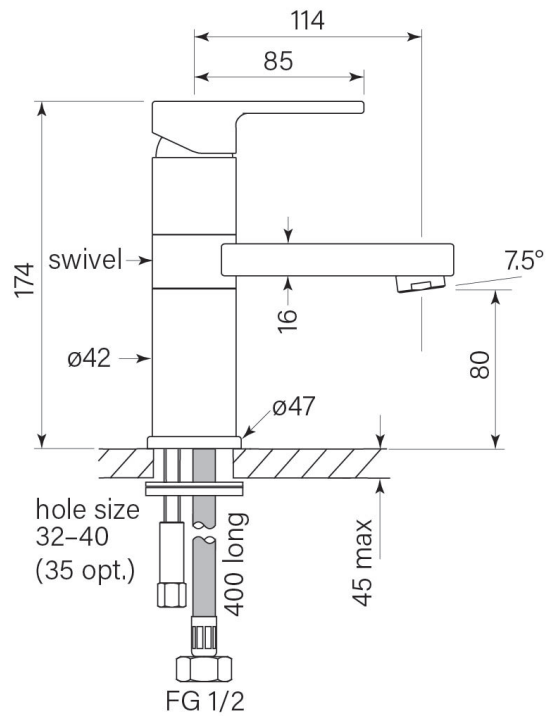


PRODUCT SPECIFICATION

**35126**  
**ZEOS BASIN MIXER, SWIVEL**

FEATURES

- Solid brass handle
- WELS 5\* 6 lpm
- Swivel spout reach 114 mm
- 2 stage flow step cartridge
- Tap hole 32 - 40 mm
- WELS registration number T41031
- To upgrade to the No Pin Handle, order either 34382 smooth, or 34383 knurled handle along with this mixer and we will supply assembled



**BATHROOM COLLECTIVE**

Phone Number: (02) 9011-5711