



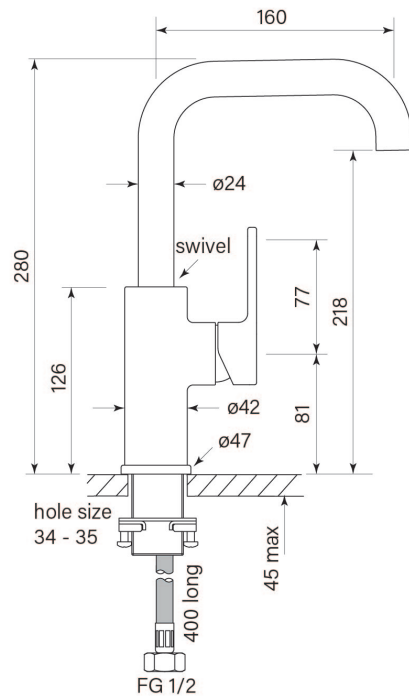
PRODUCT SPECIFICATION

# 35139

## ZEOS BASIN MIXER SQUARE 160

FEATURES

- Solid brass handle
- WELS 5\* 6 lpm
- Swivel spout reach 160 mm
- 2 stage flow step cartridge
- 34-35 mm tap hole size
- Recessed aerator
- WELS registration number T41021
- To upgrade to the No Pin Handle, order either 34380 smooth, or 34381 knurled handle along with this mixer and we will supply assembled



### BATHROOM COLLECTIVE

Phone Number: (02) 9011-5711