

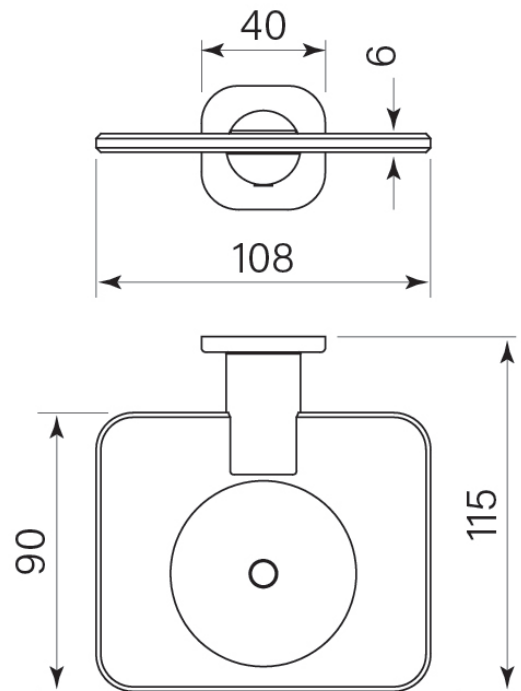


PRODUCT SPECIFICATION

**35158**  
ZEOS SOAP DISH

FEATURES

- Robust solid brass mount
- Tough plexiglass dish
- Concave with drain hole



**BATHROOM COLLECTIVE**

Phone Number: (02) 9011-5711