



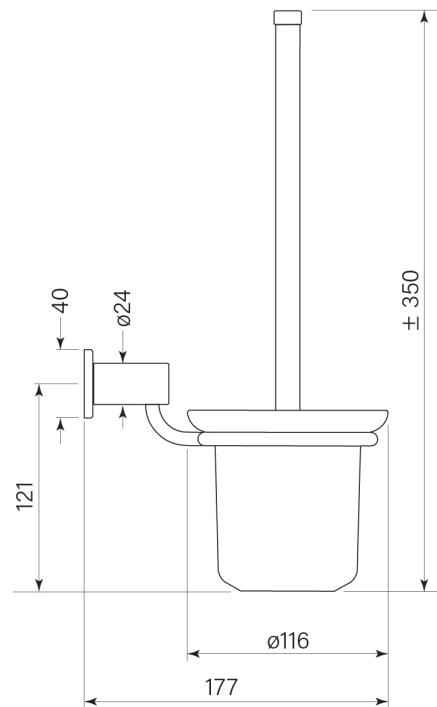
PRODUCT SPECIFICATION

35162

ZEOS TOILET BRUSH HOLDER

FEATURES

- Robust solid brass mount
- Glass bowl
- Replacement brushes & bowls available



BATHROOM COLLECTIVE

Phone Number: (02) 9011-5711