



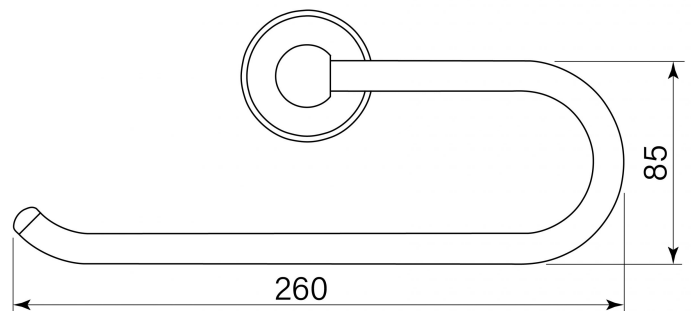
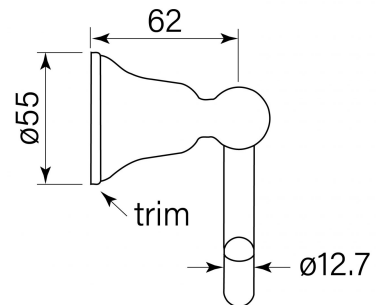
PRODUCT SPECIFICATION

40090

CASCADE GUEST TOWEL HOLDER

FEATURES

- Robust solid brass mount
- Swivel stirrup



BATHROOM COLLECTIVE

Phone Number: (02) 9011-5711