

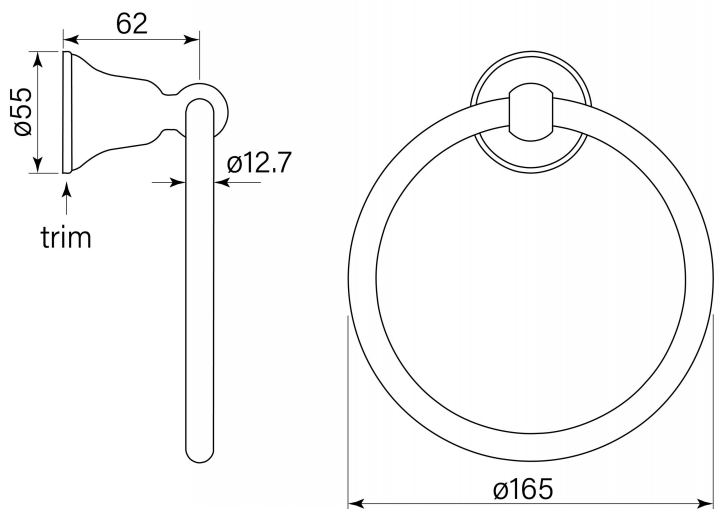


PRODUCT SPECIFICATION

40100
CASCADE TOWEL RING

FEATURES

- Robust solid brass mount
- Swivel loop 165 mm



BATHROOM COLLECTIVE

Phone Number: (02) 9011-5711