

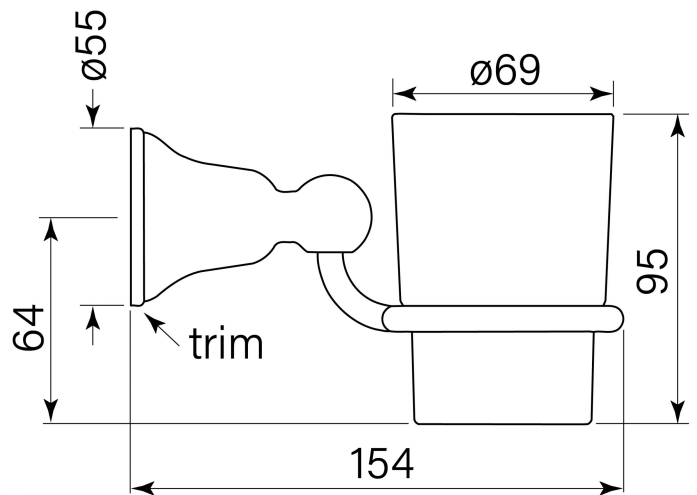


PRODUCT SPECIFICATION

40120  
CASCADE TUMBLER AND HOLDER

FEATURES

- Robust solid brass mount
- Glass tumbler
- Replacement tumblers available



**BATHROOM COLLECTIVE**

Phone Number: (02) 9011-5711