



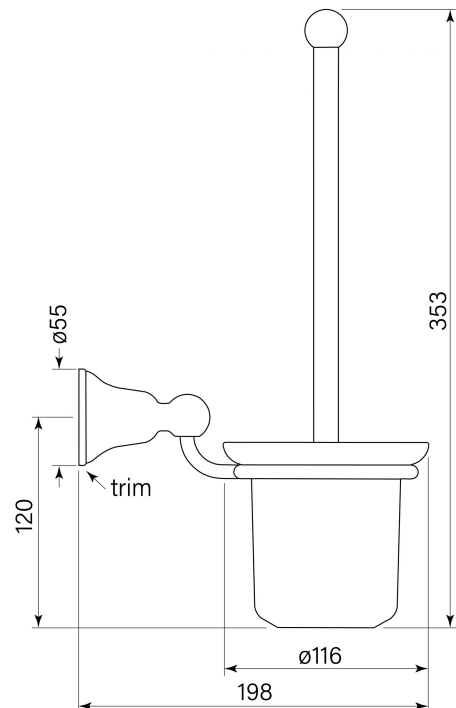
PRODUCT SPECIFICATION

40130

CASCADE TOILET BRUSH HOLDER

FEATURES

- Robust solid brass mount
- Glass bowl
- Replacement brushes & bowl available



BATHROOM COLLECTIVE

Phone Number: (02) 9011-5711