



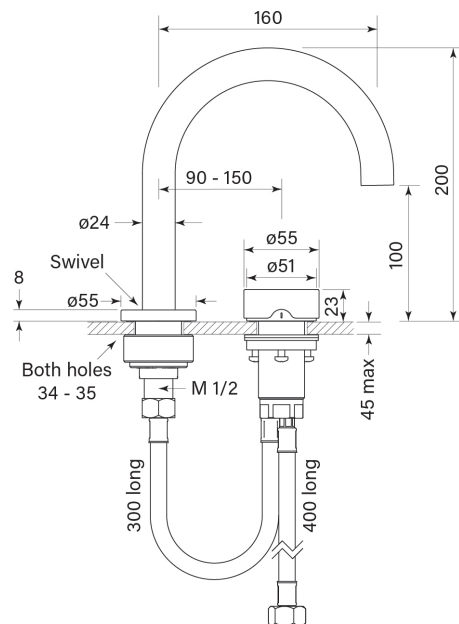
PRODUCT SPECIFICATION

30901

ZERO PROGRESIV SMOOTH BASIN MIXER CURVE

FEATURES

- Half turn Progresiv ceramic valve
- Smooth Handle
- Mount through 35 mm tap holes
- Match with Pegasi showers & accessories
- Swivel spout reach 160 mm
- WELS 5\* 6 lpm
- WELS registration number T36221 / T36221 (V)



**BATHROOM COLLECTIVE**

Phone Number: (02) 9011-5711