



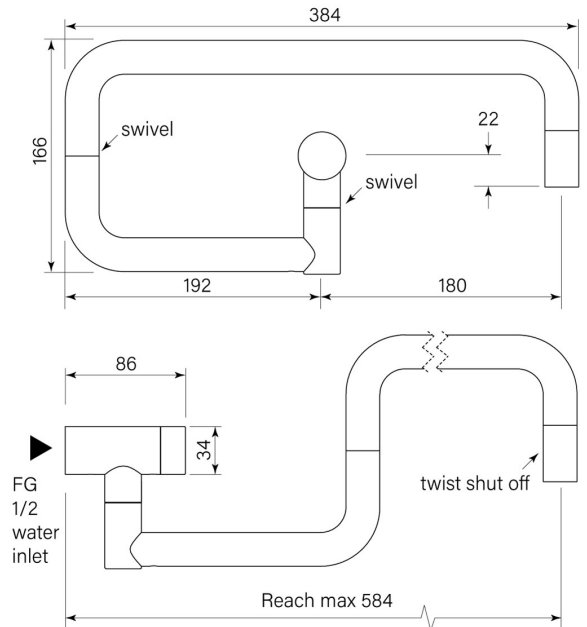
PRODUCT SPECIFICATION

30962

ZERO PROGRESIV SMOOTH POT FILLER WALL

FEATURES

- Sleek design all brass construction
- Hot only or cold only supply
- Dual shut off valves
- Double swing arm for 584 reach to cover cooktop



BATHROOM COLLECTIVE

Phone Number: (02) 9011-5711