

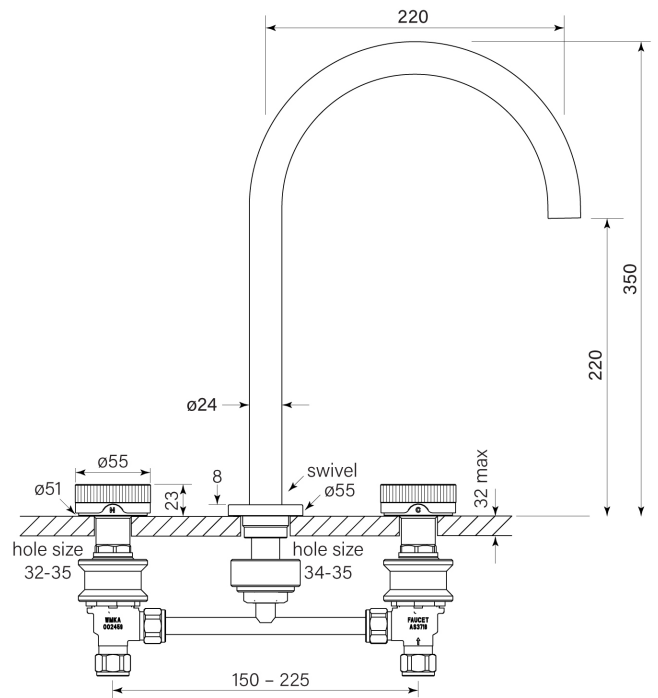


PRODUCT SPECIFICATION

# 35305 ZERO FLUTED SINK SET

FEATURES

- WELS 4\* 7.5lpm
- Quarter turn ceramic cartridges
- Fine fluted texture on handles
- Swivel spout with 220mm reach



## BATHROOM COLLECTIVE

Phone Number: (02) 9011-5711