



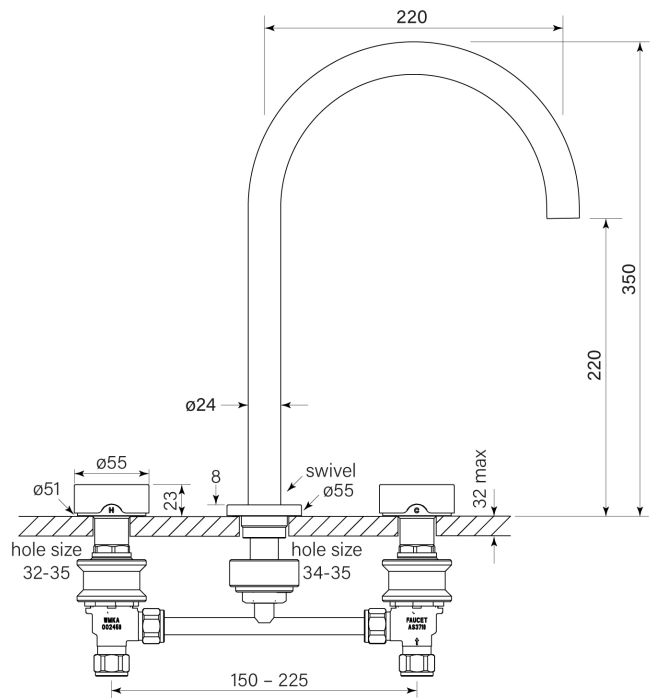
PRODUCT SPECIFICATION

# 35315

## ZERO SMOOTH BASIN SET, TALL

FEATURES

- WELS 5\* 6lpm
- Quarter turn ceramic cartridges
- Swivel spout with 220mm reach



### BATHROOM COLLECTIVE

Phone Number: (02) 9011-5711