



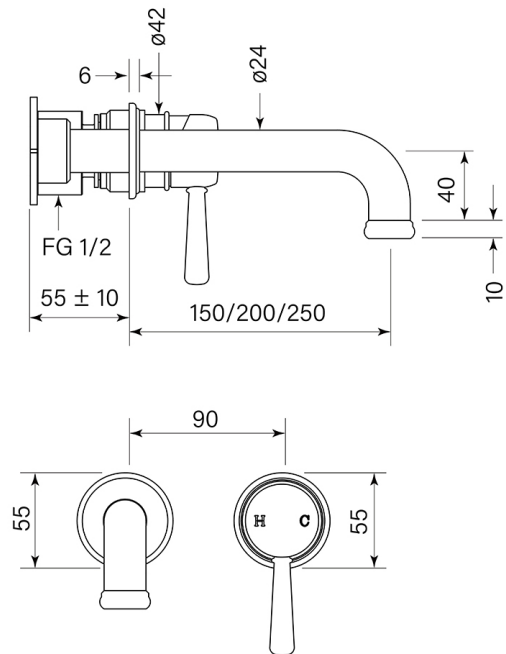
PRODUCT SPECIFICATION

30538

CASCADE BASIN MIXER SET 150

FEATURES

- WELS 5\* 6 lpm
- Reach 150 mm
- 2 stage flow step valve
- Includes Logikit™ body
- Recessed aerator



**BATHROOM COLLECTIVE**

Phone Number: (02) 9011-5711