



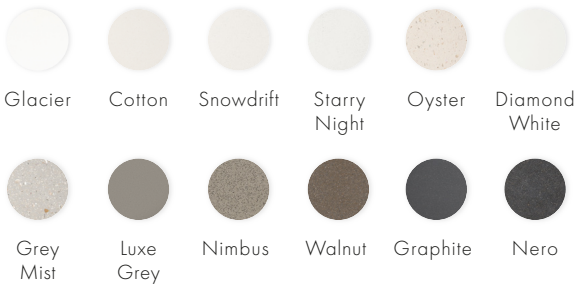
ORGANICS

Haven with base

1550mm

Fluid in form and iconic by design, the Haven is a signature piece of the apaiser collection. As the epitome of bathroom luxury, its free-flowing curves and organic nature offer evocative beauty and functionality.

COLOUR PALETTE



apaiser MARBLE

apaiserMARBLE® is a luxurious, performative, non-porous marble material, derived from reclaimed marble, enriched with the purity of Australian minerals. Offering enhanced performance, achieved through the integration of the most advanced materials, apaiserMARBLE is shaped and perfected by our master craftsmen.

We at apaiser are committed to manufacturing bathware, which is respectful of the environment. In all phases of our process, we strive to produce a product with consistently low environmental impact.

apaiser CARE

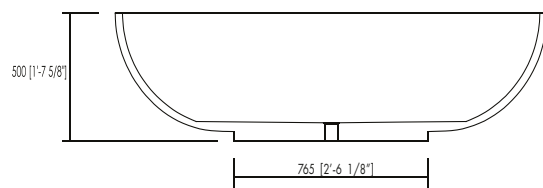
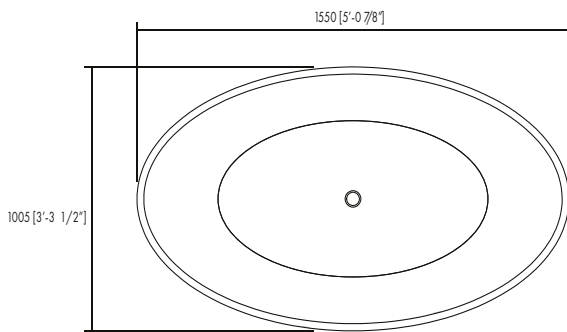
A dedicated support platform comprising apaiser's in-house design and engineering professionals, provides superior service quality and peace of mind to all our project customers and retail installations. apaiserCARE® oversees design to delivery, installation and training.

Specifications

1550mm x 1005mm x 500mm
 Approx weight: 88kg (194lb)
 Capacity: 368 litres (97gal)



Product code 5671



Colours are indicative and for reference purposes only. Due to the hand finished nature of our products, dimensional tolerances are applicable. All products to include apaiser waste.

apaiser.com