

apaiser



GEOMETRICS

Sól bath stool

300mm

The slight edge and gentle angles of the stool serve both form and function. Designed for use as a table or seat, it creates an interesting visual paired with the Sól bath, and more symmetrical designs in the apaiser collections. The perfect statement accessory.

DIMENSIONS

Ø300mm x 400mm high

Approx weight: 16kg (35lb)



Product code 9189

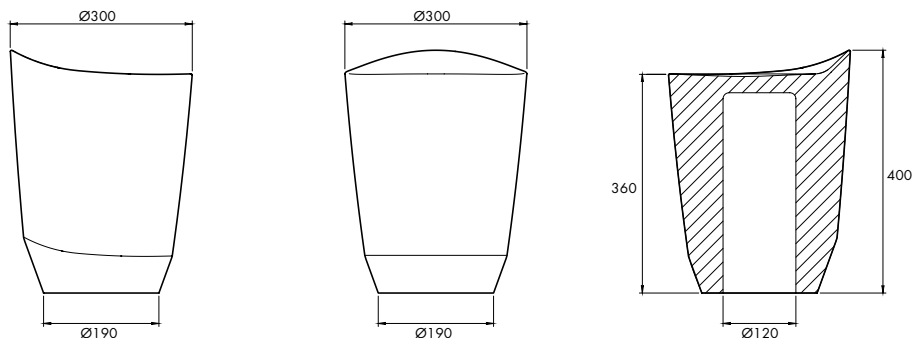
apaiser MARBLE

apaiserMARBLE® is a luxurious, performative, non-porous marble material, derived from reclaimed marble, enriched with the purity of Australian minerals. Offering enhanced performance, achieved through the integration of the most advanced materials, apaiserMARBLE is shaped and perfected by our master craftsmen.

We at apaiser are committed to manufacturing bathware, which is respectful of the environment. In all phases of our process, we strive to produce a product with consistently low environmental impact.

apaiser CARE

A dedicated support platform comprising apaiser's in-house design and engineering professionals, provides superior service quality and peace of mind to all our project customers and retail installations. apaiserCARE® oversees design to delivery, installation and training.



Colour is indicative and for reference purposes only. Due to the hand finished nature of our products, dimensional tolerances are applicable. All products to include apaiser waste.

apaiser.com

BATHROOM COLLECTIVE

Phone Number: (02) 9011-5711