



COLLABORATIONS - WOHAbeing

Sampan double basin

1500mm

The Sampan Double Basin is a remarkable, semi recessed vanity design. Drawing upon the angular and low profile form of the Sampan boat, combined with generous proportions and fine detail, the basin is reminiscent of a marine sculpture for the bathroom.

COLOUR PALETTE



Glacier

Diamond
White

Starry
Night

Luxe
Grey

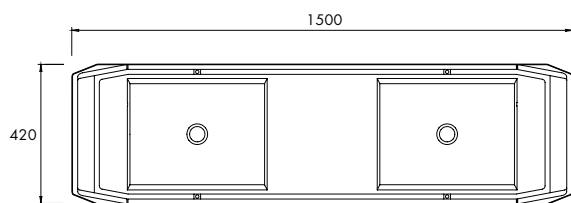
apaiser MARBLE

apaiserMARBLE® is a luxurious, performative, non-porous marble material, derived from reclaimed marble, enriched with the purity of Australian minerals. Offering enhanced performance, achieved through the integration of the most advanced materials, apaiserMARBLE is shaped and perfected by our master craftsmen.

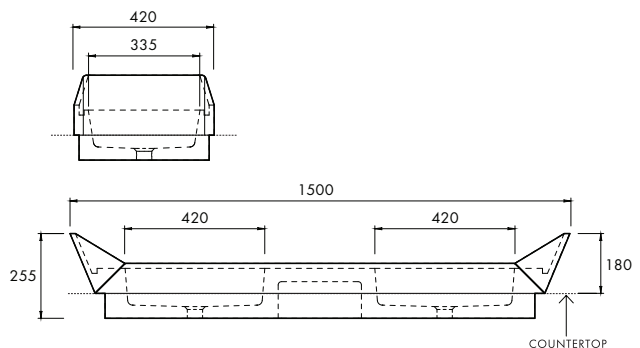
We at apaiser are committed to manufacturing bathware, which is respectful of the environment. In all phases of our process, we strive to produce a product with consistently low environmental impact.

apaiser CARE

A dedicated support platform comprising apaiser's in-house design and engineering professionals, provides superior service quality and peace of mind to all our project customers and retail installations. apaiserCARE® oversees design to delivery, installation and training.



NOTE:
THE SAMPAN DOUBLE BASIN IS DESIGNED TO BE RECESSED INTO THE COUNTER TOP BY 75MM.



DIMENSIONS

1500mm x 420mm x 255mm

Approx weight: 90kg (198lb)



Product code 6294

Colours are indicative and for reference purposes only. Due to the hand finished nature of our products, dimensional tolerances are applicable. All products to include apaiser waste.

apaiser.com