

ROBERT GORDON

INTERIORS

Thank you for purchasing high quality Australian made product, proudly designed and crafted by Robert Gordon Pottery. All our ceramic lighting products are made from high fired stoneware and adhere to all Australian standards and requirements.

To ensure correct function and safety, please read and follow all instructions carefully before assembly. Keep this document handy for future reference.

Installation instructions:

1. Gently remove all outer foam and excess card packaging. Be careful not to drop any pieces as they are fragile and likely to break. As the foam is biodegradable, it can be either reused, dissolved in water or composted. Make sure all components of lamp are undamaged and the lamp holder (**D**) is fully tightened into ceramic collar (**C**) before installation.
2. Secure the included LED bulb (**B**) into the lamp holder (**D**) with a gentle push.
3. Carefully position ceramic shade (**A**) over ceramic collar (**C**) until piece makes contact. Level the shade to your satisfaction. As the piece isn't fixed, regular adjustments may be required to realign pieces.
4. Your lamp is now ready to use and to bring the perfect ambience to your home!

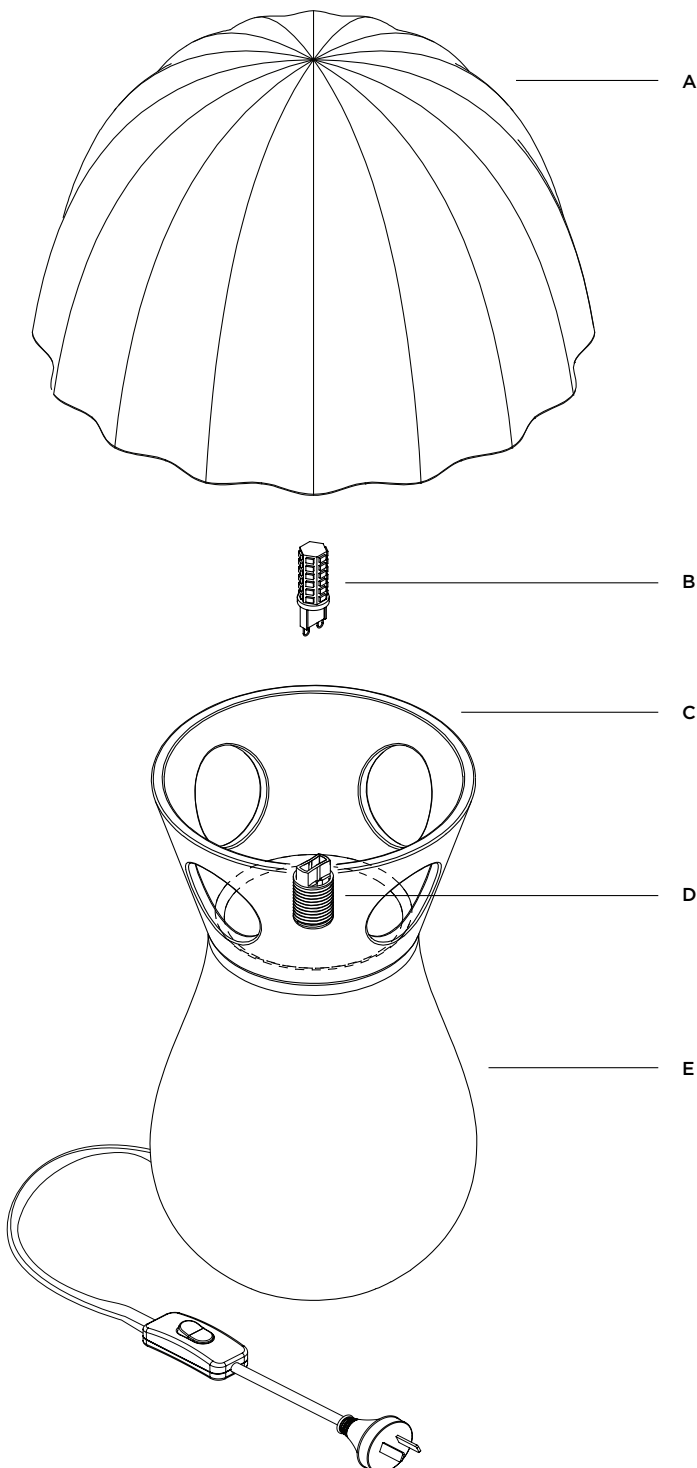
Please note:

As the ceramic shade of the Periwinkle light is not fixed, always be cautious of where you position your lamp. Heavy knocks could potentially cause shade to dismount and break.

The Periwinkle lamp is only intended for interior settings and not suitable for outdoor conditions.

Ceramic shade, collar and base, may be cleaned using a damp cloth, but please avoid lamp holder or any other electrical points of contact. Only clean lamp when it is OFF and disconnected from the wall.

For bulb replacement, this product accepts a 3W LED G9 Globe.



**ROBERT
GORDON**

INTERIORS

*We would love to see your new lamp in your home!
Share a photo on Instagram and tag us @robertgordoninteriors*



Warranty

- This product is covered by a 12 month warranty, from date of purchase.
- Please retain proof of purchase, as documentation may be required.
- Warranty will be void if there is any damage to product, due to mproper usage or modification to fitting.
- If luminaire is damaged, it shall be exclusively replaced by the manufacturer or his service agent or a similar qualified person in order to avoid a hazard.

**Designed and made in Australia by
Robert Gordon Pottery**

For more information on this product, please contact us:

03 5941 3144

sales@robertgordonaustralia.com