

# 16cm LOW LEVEL WALL HUNG CISTERN

**Code** - 9.300.356

Suitable for use:  
When installing in front of a solid wall

Front or Top Button Mounting

Sheeting Requirements (Prior to tiling):  
Standard Buttons - 18mm non flex board  
Flush Mount Buttons - 25mm non flex board

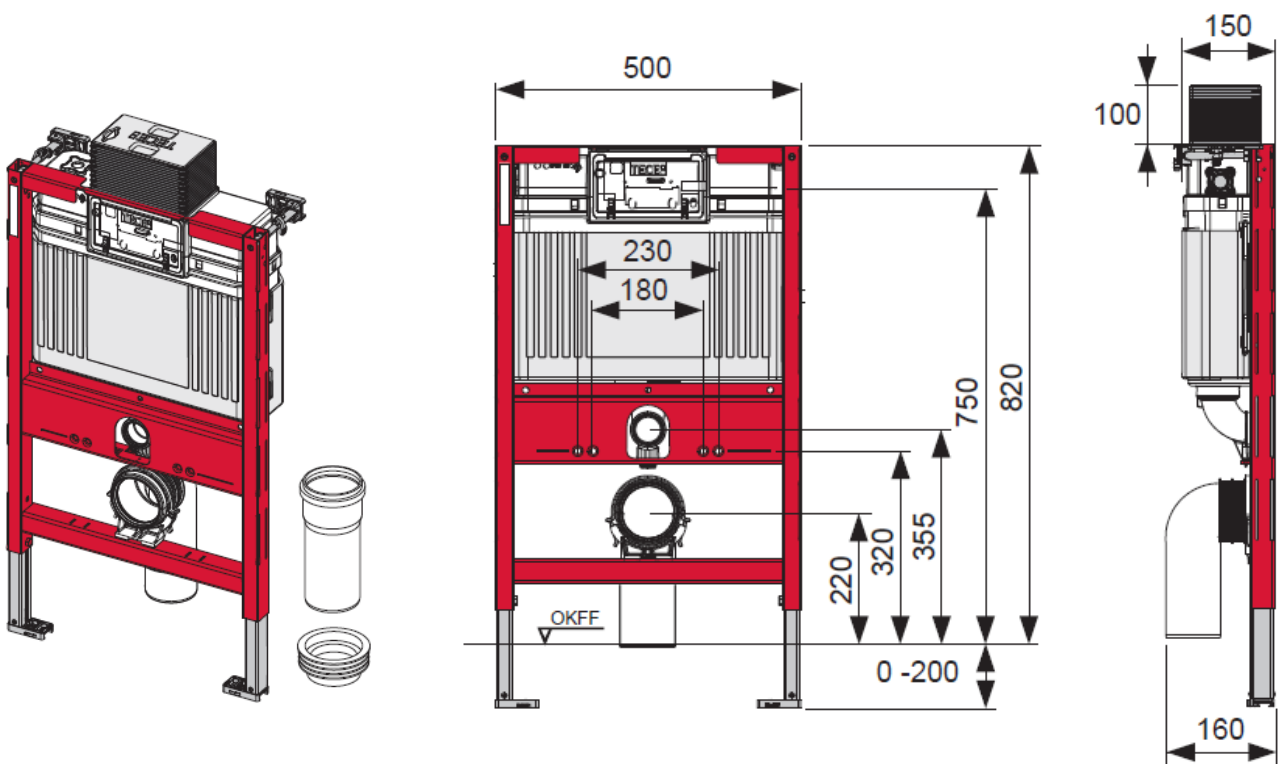
Note: Square Metal Buttons require 30mm overall thickness including sheeting & tiling

Water Inlet top left side

2 Year Parts and Labour Warranty on Internals  
10 Year Warranty on Cistern Construction

# TECE

close to you



Proudly imported and distributed by  
Gro Agencies Pty Ltd  
Unit 2 / 37 Howe St, Osborne Park, WA, 6017  
P 08 9446 3288 E info@groagencies.com.au W www.groagencies.com.au



**BATHROOM COLLECTIVE**

Phone Number: (02) 9011-5711