

# TECEsquare Satin Glass PUSH PLATE

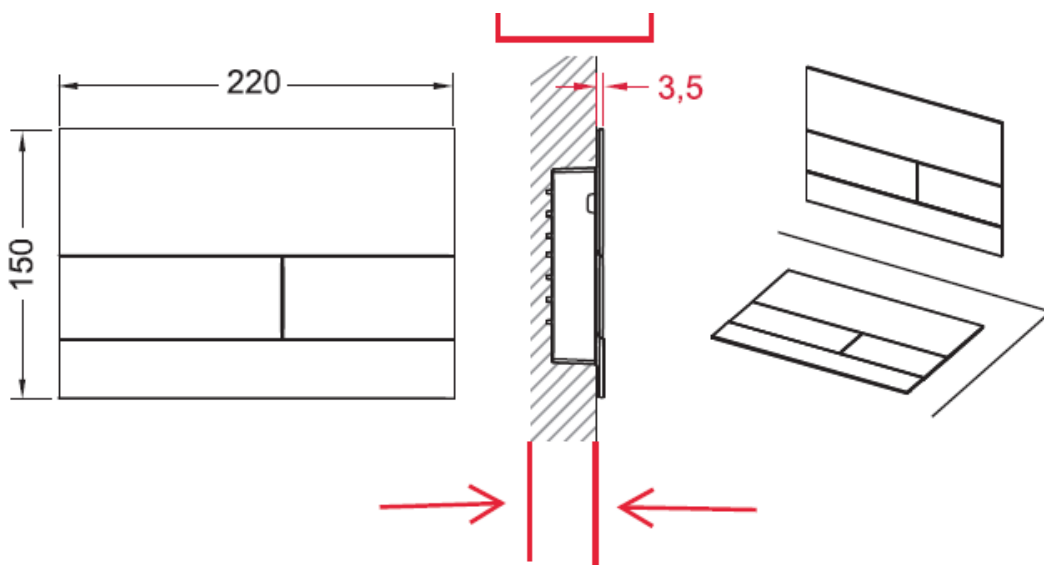
**TECE**  
close to you

White Satin -	9.240.824
Black Satin -	9.240.825
Grey Satin -	9.240.826
Beige Satin -	9.240.827

Suitable for use with all TECE Cisterns

Minimum wall thickness for button installation is 30mm (includes sheeting and tiles)

When using wall hung cisterns TECE recommend using compressed sheeting/non flexing board.



**30mm wall thickness required including tiles and sheeting**

Proudly imported and distributed by  
Gro Agencies Pty Ltd  
Unit 2 / 37 Howe St, Osborne Park, WA, 6017  
P 08 9446 3288 E [info@groagencies.com.au](mailto:info@groagencies.com.au) W [www.groagencies.com.au](http://www.groagencies.com.au)

**gro**  
agencies

**BATHROOM COLLECTIVE**

Phone Number: (02) 9011-5711