

FLUSH MOUNT KIT (9.240.649 - Chrome)

TECE

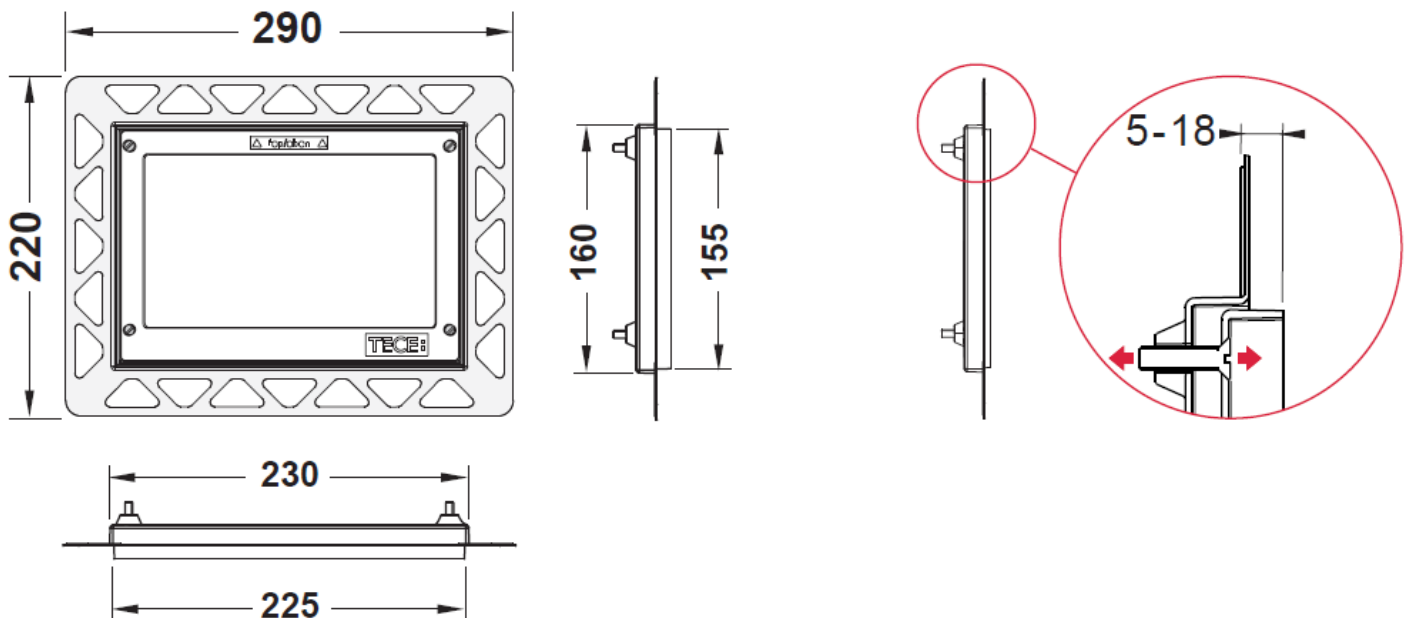
close to you

Suitable for use with:
All TECE Cisterns
TECEloop Glass Push Plates
TECEsquare Glass Push Plates

Sheeting Requirements (Prior to tiling):
25mm non flex board

Tile Adjustment depth:
5 - 18mm

Note: Flush mount kit MUST be installed prior to tiling to achieve flush mount push plate



Proudly imported and distributed by
Gro Agencies Pty Ltd
Unit 2 / 37 Howe St, Osborne Park, WA, 6017
P 08 9446 3288 E info@groagencies.com.au W www.groagencies.com.au

gro
agencies

BATHROOM COLLECTIVE

Phone Number: (02) 9011-5711