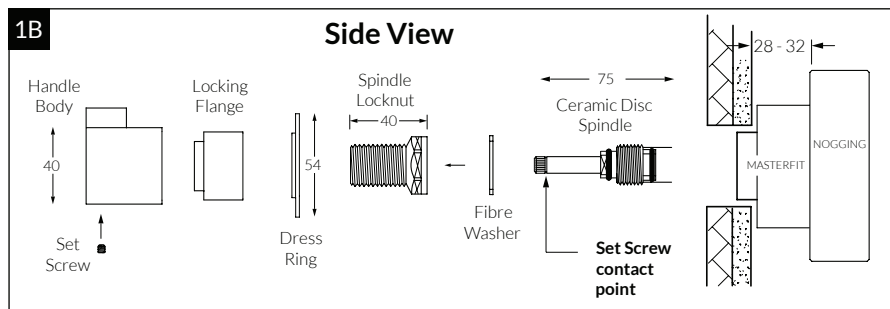
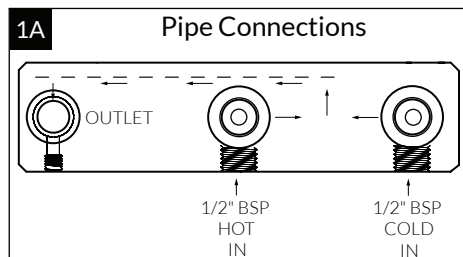
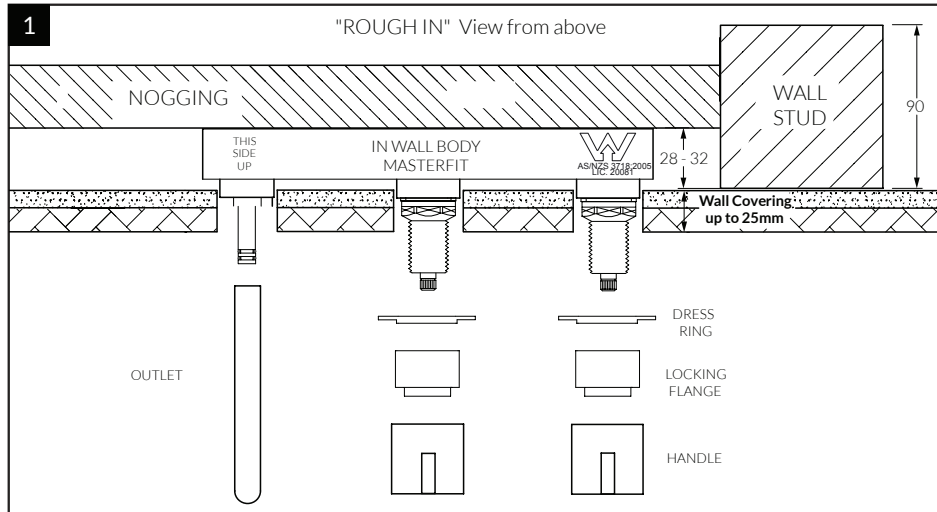


# Calibre Wall bath hostess system

# SUSSEX



## Product code

CBHS150 Wall bath hostess system 150mm  
CBHS200 Wall bath hostess system 200mm

CWBHS150 Wall basin hostess system 150mm  
CWBHS200 Wall basin hostess system 200mm

## Rough in plumbing (Masterfit)

- The Masterfit will be supplied with the Spindles pre-installed.
- Prepare a nogging and secure 28-32mm back from the front of the stud (See Fig.1).
- The Masterfit (in-wall) will be marked "This Side Up" to indicate orientation.
- Using the screws (x4) provided, mount the Masterfit (in-wall) to the Nogging.
- Ensure the Masterfit is level and square to the Wall Stud.

## Pipe connections

- The Masterfit is supplied with coloured thread Caps to protect and identify the Hot and Cold inlet connections.
- Flush all water feed lines. All lines must be free from any dirt and debris before connecting to the Masterfit.
- Connect Hot and Cold lines to the corresponding 1/2" BSP ports of the Masterfit. (See Fig.1A)
- Do not remove or disturb any factory fitted pressure plugs or Fixings.
- Once all water connections are made, use the "Spindle Handle Adapter" and check Hot/Cold water operation.
- Check all fittings and fixtures for leaks.
- Store the Dress Kit in a safe place until required (see Dress Finishing Guide)

## Fitting off

- Seal the Wall penetration around the Spindle Locknuts and immediately fit the Dress rings and Lock flanges.
- Fit the Handle Body. Ensure the Handle Body is fully engaged onto the Spindle;

**NOTE:** the Set Screw contact point. (See Fig.1B)

- Secure the Handle body by tightening the Set screw using a 2mm Allen key provided. (Tighten well)
- After completing the installation, establish water supply, check function of the Tapware and ensure no water leaks.

