

**SHAPE**

- Oval

**SIZE**

- Length: 1647 mm, Width: 763 mm, Height: 599 mm

**MATERIAL**

- QUARRYCAST™

**DRAIN HOLE**

- Centred

**WEIGHT**

- 86.3kg

**CAPACITY**

- 348L

**INSTALLATION TYPE**

- Freestanding
- Note:** All baths in Australia come standard without an overflow

**FINISH**

- Gloss White, Matt White

**DRAIN SET**

- Drain kit required, sold separately
- Recommended wastes: K-12, K-17

**STANDARDS**

- CSA B45.5:22, IAPMO Z124-2022

**WARRANTY**

- 25 years residential
- 8 years commercial
- Visit [www.vandabaths.com](http://www.vandabaths.com) for further information

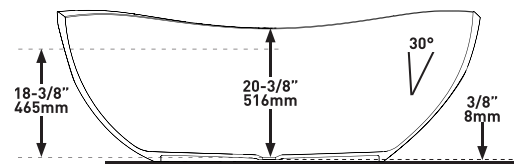
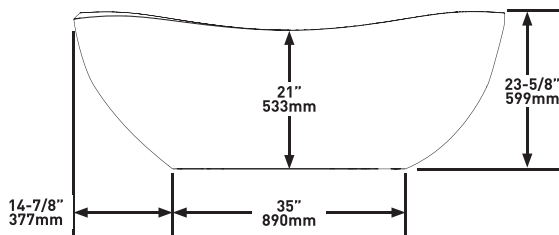
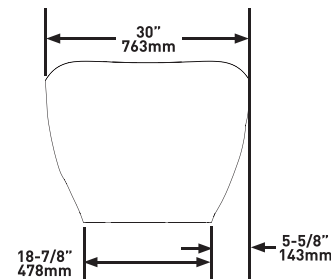
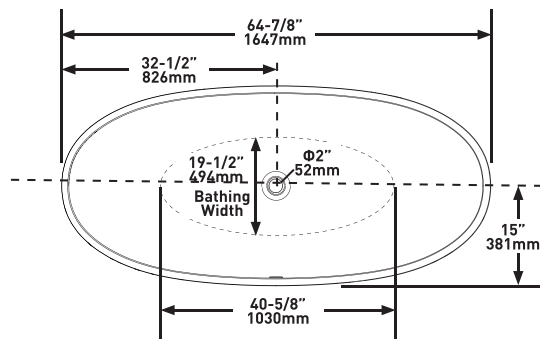
# SPECIFICATIONS



## SEROSTM 1650

Freestanding Bath

**MODELS:** SE1-N-SW-NO, SE1M-N-SM-NO



## BATHROOM COLLECTIVE

Phone Number: (02) 9011-5711

For care and cleaning, product warranty, and additional information contact:

**U.S.A.**  
[houseofrohl.com/support](http://houseofrohl.com/support)  
 1-800-777-9762

**Canadian Customers**  
 Quebec / Maritimes / Western Canada  
 Québec / Maritimes / Ouest Canadien  
 Quebec / Maritimos / Canada Occidental  
 1-800-777-9762

**EMEA Customers**  
[vandabaths.com](http://vandabaths.com)  
 +44 (0) 1952 221 100