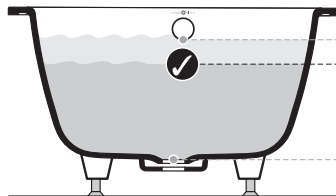
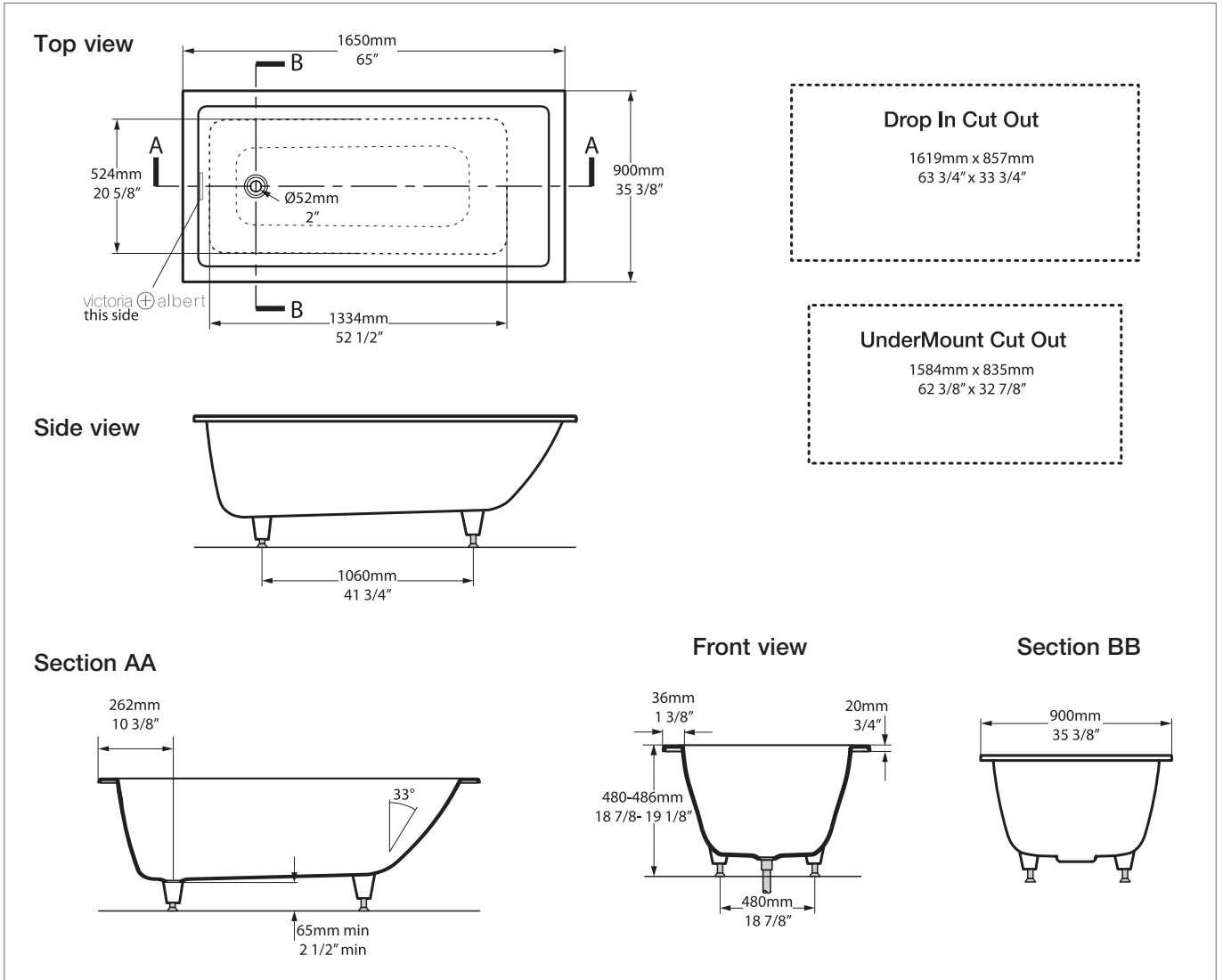


Note: All baths in Australia come standard **without** an overflow.

Kaldera 6 KAL6-N-SW-NO



BV-2.1_0047(B)



Recommended wastes: K-12-xx

BATHROOM COLLECTIVE

Phone Number: (02) 9011-5711

*All measurements subject to +/-5% tolerance
 *Overflow hole not drilled



Guaranteed for residential use for 25 years
 25 Jahre Garantie bei privater Nutzung
 25 ans de garantie pour un usage domestique
 Garantía de 25 años para uso domestico
 La sicurezza garantita per uso residenziale per 25 anni



Guaranteed for commercial use for 8 years
 8 Jahre Garantie bei gewerblicher Nutzung
 8 ans de garantie pour un usage commercial
 Garantía de 8 años para uso comercial
 La sicurezza garantita per uso commerciale per 8 anni