

**SHAPE**

- Oval

**SIZE**

- Length: 490 mm, Width: 401 mm, Height: 900 mm

**MATERIAL**

- QUARRYCAST™

**WEIGHT**

- 20.6kg

**INSTALLATION TYPE**

- Freestanding

**FINISH**

- Gloss White, Matt White

**DRAIN**

- We recommend to install a free flow waste - ø40mm

**WARRANTY**

- 25 years residential
- 8 years commercial
- Visit [www.vandabaths.com](http://www.vandabaths.com) for further information

**SPECIFICATIONS**

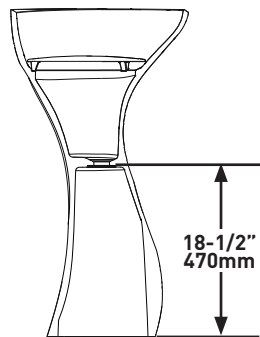
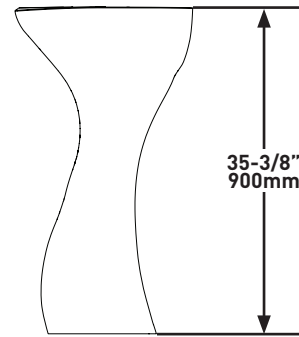
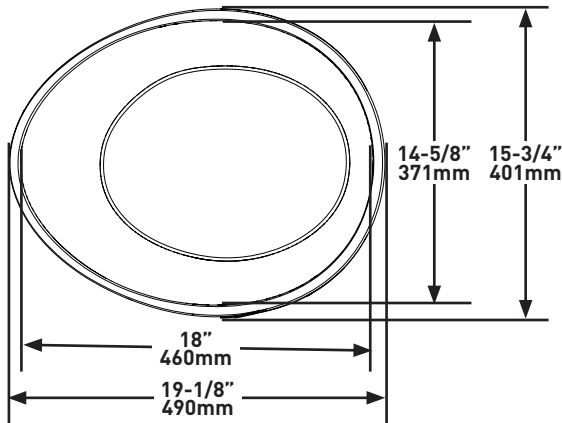


**SEROST™ 49**

Freestanding Podium Basin

**MODELS:**

FS-SER-49-NO-AU, FS-SER49M-SM-NO-AU



**BATHROOM COLLECTIVE**

Phone Number: (02) 9011-5711

**For care and cleaning, product warranty, and additional information contact:**

**US Customers**

U.S.A.  
houseofrohl.com/support  
1-800-777-9762

**Canadian Customers**

QUEBEC / MARITIMES / WESTERN CANADA  
QUÉBEC / MARITIMES / OUEST CANADIEN  
QUEBEC / MARITIMOS / CANADA OCCIDENTAL  
houseofrohl.ca/support  
1-866-473-8442

**EMEA Customers**

vandabaths.com  
+44 (0) 1952 221 100