

SHAPE

- Oval

SIZE

- Length: 549 mm, Width: 300 mm, Height: 140 mm

MATERIAL

- QUARRYCAST™

WEIGHT

- 5.14kg

CAPACITY

- 5.86L

INSTALLATION TYPE

- Countertop

FINISH

- Gloss White, Matt White

DRAIN

- Internal overflow
- Drain kit required, sold separately
- Recommended wastes: K-22, K-25, K-28

STANDARDS

- CSA B45.5:22, IAPMO Z124-2022

WARRANTY

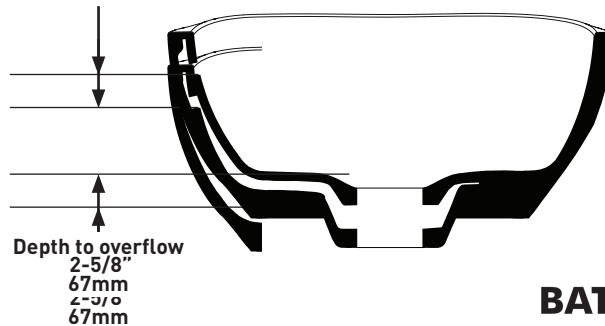
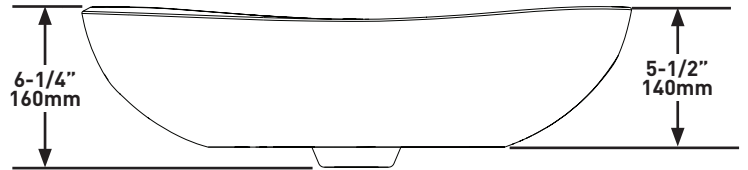
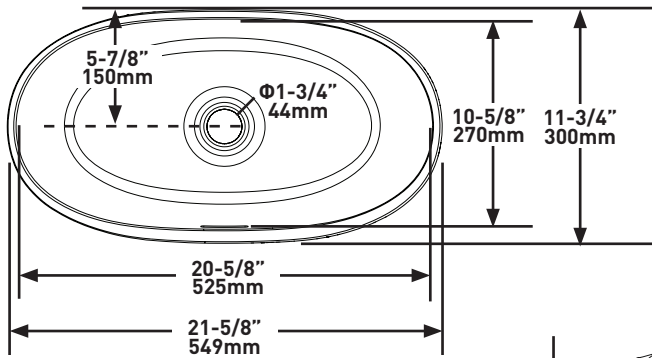
- 25 years residential
- 8 years commercial
- Visit www.vandabaths.com for further information

SPECIFICATIONS



SEROSTM55
Vessel Basin

MODELS: VB-SER-55-I0, VB-SER55M-SM-I0



BATHROOM COLLECTIVE

Phone Number: (02) 9011-5711

For care and cleaning, product warranty, and additional information contact:

US Customers

U.S.A.
houseofrohl.com/support
1-800-777-9762

Canadian Customers

QUEBEC / MARITIMES / WESTERN CANADA
QUÉBEC / MARITIMES / OUEST CANADIEN
QUEBEC / MARITIMOS / CANADA OCCIDENTAL
houseofrohl.ca/support
1-866-473-8442

EMEA Customers

vandabaths.com
+44 (0) 1952 221 100

