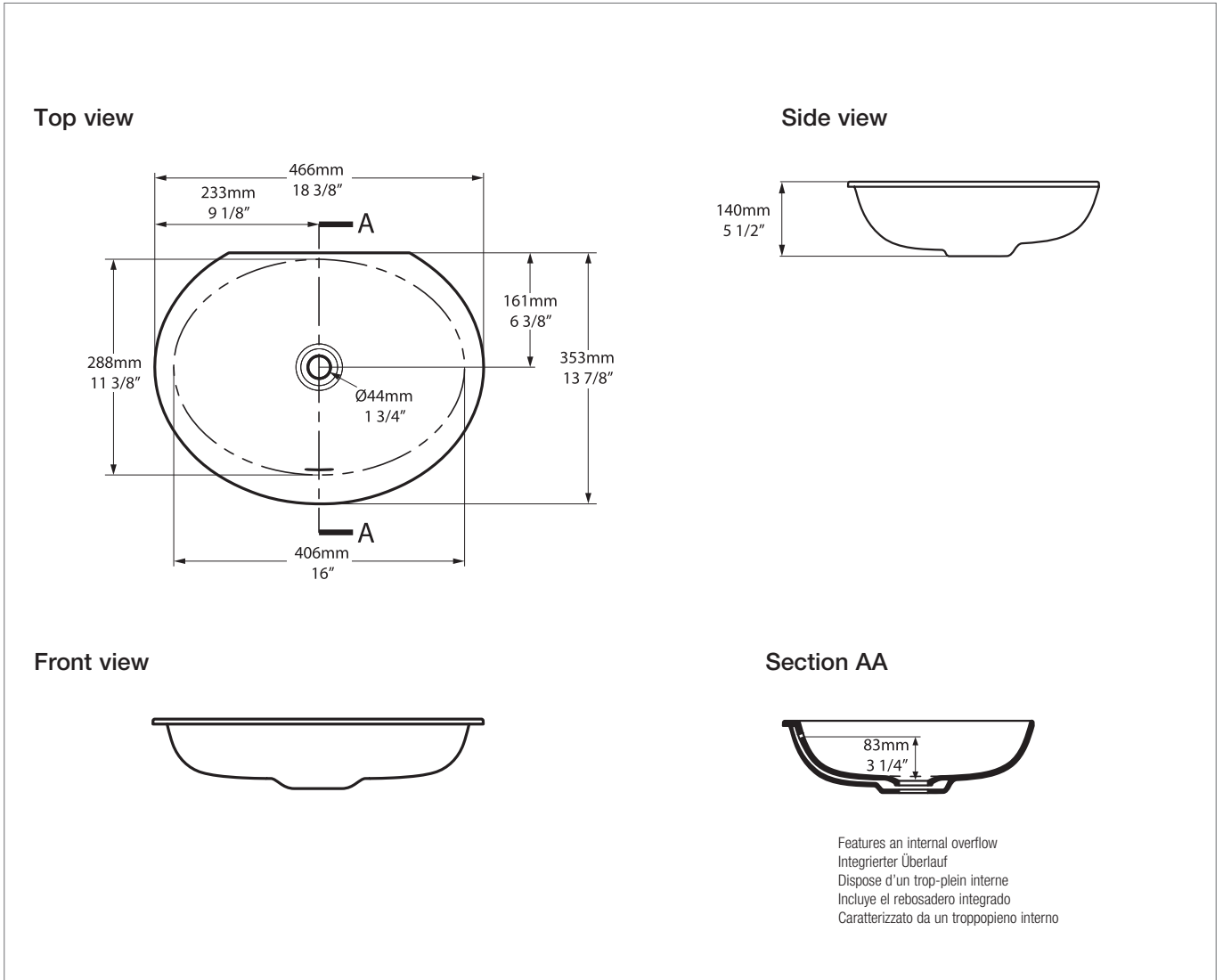
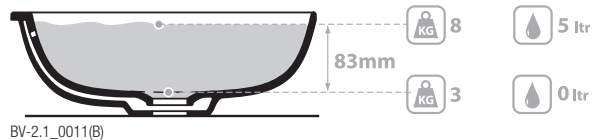


# Kaali 46 UB-KAA-46-IO



## BATHROOM COLLECTIVE

Phone Number: (02) 9011-5711



Recommended wastes: K-25-xx



\*All measurements subject to +/-5% tolerance



Guaranteed for residential use for 25 years\*  
25 Jahre Garantie bei privater Nutzung  
25 ans de garantie pour un usage domestique  
Garantía de 25 años para uso domestico  
La sicurezza garantita per uso residenziale per 25 anni



Massachusetts Code: Approved  
cUPC listing by IAPMO: File No. 6970



Guaranteed for commercial use for 8 years\*  
8 Jahre Garantie bei gewerblicher Nutzung  
8 ans de garantie pour un usage commercial  
Garantía de 8 años para uso comercial  
La sicurezza garantita per uso commerciale per 8 anni