

SPECIFICATIONS

SHAPE

- Rectangle

SIZE

- Length: 570mm, Width: 398mm, Height: 178mm

MATERIAL

- QUARRYCAST™

WEIGHT

- 7.2kg

CAPACITY

- 11.2L

INSTALLATION TYPE

- Undermount

DRAIN

- Includes an Internal Overflow
- Waste kit required and sold separately

STANDARDS

- IAPMO pending

WARRANTY

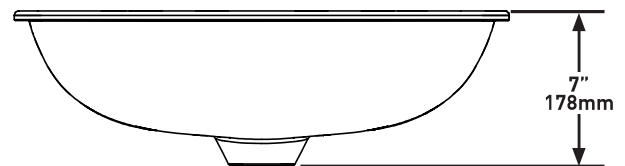
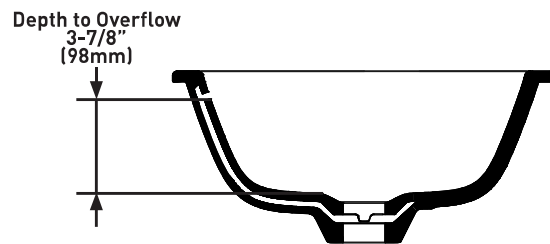
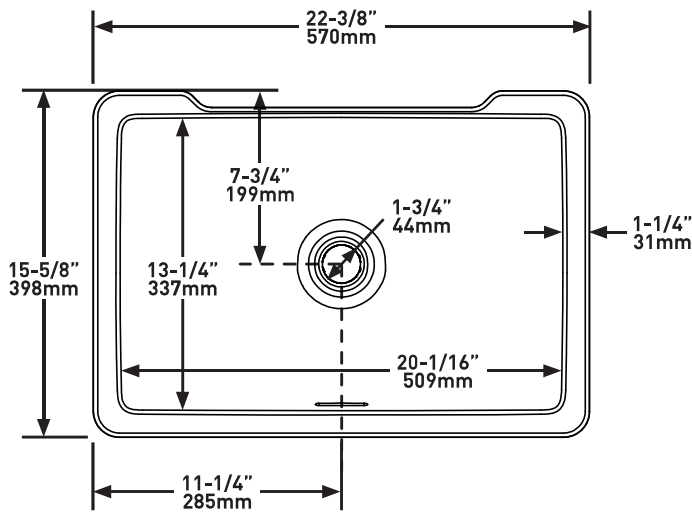
- 25 years residential
- 8 years commercial
- See www.vandabaths.com for further information



LACENO™ 57

Undermount Rectangular Basin

MODELS: UB-LAC-57-10
UB-LAC57M-SM-10



BATHROOM COLLECTIVE

Phone Number: (02) 9011-5711

For care and cleaning, product warranty, and additional information contact:

US Customers

U.S.A.
houseofrohl.com/support
1-800-777-9762

QUEBEC / MARITIMES / WESTERN CANADA
QUÉBEC / MARITIMOS / OUEST CANADIEN
QUEBEC / MARITIMOS / CANADA OCCIDENTAL
houseofrohl.ca/support
1-866-473-8442

Canadian Customers

ONTARIO
houseofrohl.ca/support
1-800-287-5354

EMEA Customers

vandabaths.com
+44 (0) 1952 221 100

