

Dune Solid Surface

OMVIVO®



edition three 61

BATHROOM COLLECTIVE

Phone Number: (02) 9011-5711

Dune Solid Surface

Available finishes

Solid surface white.
Solid surface night.

Assembly

Dune basin assembly includes:

- Basin
- Stainless steel mounting brackets
- $\varnothing 32$ mm chrome pop up waste
- Rubber seals
- Chrome locknut

Cleaning

Solid surface - The surface of Dune is polished. Clean with a mild, non abrasive detergent and soft cloth. Finish by cleaning off detergents with a soft damp cloth and towel dry.

Additional information and recommended fittings

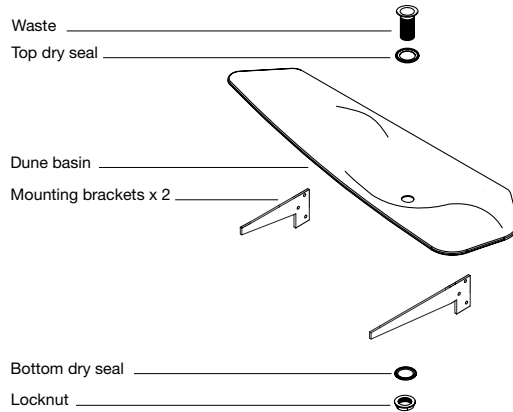
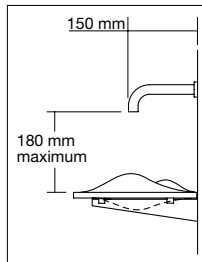
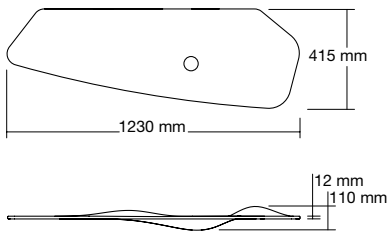
Use a 150 mm wall outlet that uses 5-7 litres per minute. The water must fall at a 90 degree angle, directly down onto Dune. Omvivo outlets are ideal to use with the Omvivo basin collection. The mounting brackets are fixed to studs within a cavity wall. Dune is available with a left or right hand bowl.

Important

This is not an installation guide. Please contact OMVIVO for technical details. Product specifications are subject to alteration without notice.

©OMVIVO Pty Ltd. 2008.

Assembly



Note: Drawing and assembly illustrate a right hand bowl.
Left hand bowl also available.



design Thomas Coward



Omvivo Pty Ltd Schiavello Complex T: + 61 3 9339 8130
1 Sharps Road Tullamarine F: + 61 3 9330 8611
Victoria Australia 3043 info@omvivo.com

www.omvivo.com edition three 62

Note: due to varying manufacturing methods, the dimensions illustrated here are nominal and subject to change. Omvivo has detailed, to the best of its ability, the most approximate measurement possible for each product given the method of manufacturing used.

BATHROOM COLLECTIVE

Phone Number: (02) 9011-5711