





The timeless elegance of the Pond™ basin is ideal for both contemporary and more traditional interiors. The vessel appears to float above the benchtop when installed with the spacer supplied, and is available in a range of solid surface colours.

SPECIFICATIONS

Finishes:



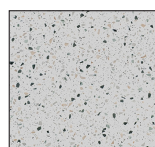
White



Cloud (D)



Aria Carrara (P)



Terrazzo (P)



Citadel Grey (P)

D: Deluxe
P: Premium

Material:

Matt Solid surface - 100% Acrylic

Overflow:

No

Tap Holes:

No

Waste Size:

32mm

Waste Supplied:

Yes - 32mm waste with matching solid surface plug and spacer

Weight:

Pond™ 450 - 3.4kg

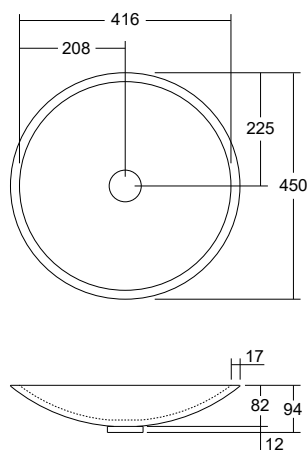
Bowl Capacity:

Pond™ 450 - 3.1L

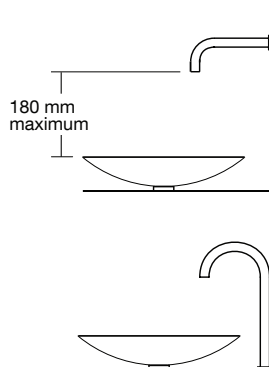
Faucet Details:

For best results, select a spout/faucet with a cascade style aerator (no spray) that uses approx. 5 litres per minute with the water falling at a 90 degree angle to the surface of the vessel.

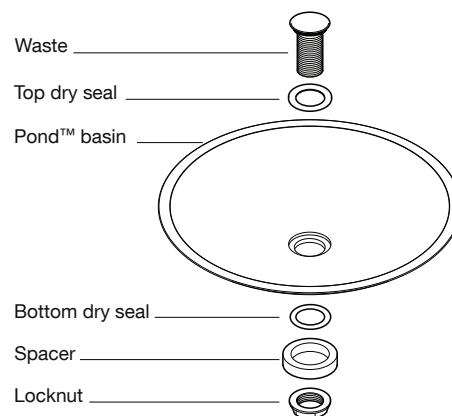
Pond™ 450



Faucet Details:



Components:



Dimensions are shown in millimetres. Due to the handcrafted nature of Omvivo products measurements are subject to a +/- 5mm manufacturing tolerance.