

# SensoWash® Starck f

---

<b>Montageanleitung</b>	Compact Dusch-WC
<b>Mounting instructions</b>	Compact shower toilet
<b>Notice de montage</b>	WC douche compact
<b>Montagehandleiding</b>	Compacte douche-WC
<b>Instrucciones de montaje</b>	Inodoro con lavado compacto
<b>Istruzioni di montaggio</b>	Vaso compatto con sedile elettronico
<b>Instruções de montagem</b>	Sanita bidé compacta
<b>Monteringsvejledning</b>	Compact toilet med bidetfunktion
<b>Asennusohje</b>	Kompakti suihku-WC
<b>Monteringsanvisning</b>	Kompakt dusjtoalett
<b>Monteringsanvisning</b>	Kompakt duschtoalett
<b>Paigaldusjuhend</b>	Kompaktne WC-dušš
<b>Instrukcja montażu</b>	Kompaktowa toaleta myjąca
<b>Инструкция по монтажу</b>	Компактный унитаз-биде
<b>Montážní návod</b>	Kompaktní sprchovací toaleta
<b>Návod na montáž</b>	Kompaktná toaleta so sprchou
<b>Navodila za montažo</b>	Kompaktno stranišče s prho
<b>Upute za montažu</b>	Kompaktna WC-školjka s tušem
<b>Szerelési útmutató</b>	Kompakt zuhanyzós toalett
<b>Instrucțiuni de instalare</b>	WC cu duș compact
<b>Ръководство за монтаж</b>	Компактна тоалетна чиния с душ
<b>Montāžas instrukcija</b>	Kompakts tualetes dušas pods
<b>Montavimo instrukcija</b>	Kompaktiškas WC dušas
<b>Montaj kılavuzu</b>	Çok fonksiyonlu duş klozeti

# 650000 01 2 00 4320

# 650001 01 2 00 4310



## About the mounting instructions

These mounting instructions come as part of the Duravit product and should be read carefully prior to installation.

## Target readership and qualifications

The product and associated water connection should only be installed by qualified plumbers. The electrical installation should only be carried out by qualified electricians.

## Explanation of the signal words and symbols



Indicates a hazardous situation which, if not avoided, will result in death or serious injury.



Indicates a hazardous situation which, if not avoided, could result in death or serious injury.



Indicates a hazardous situation which, if not avoided, could result in minor or moderate injury.



Is used to address practices not related to physical injury.



Link to the **Electrical Installation** section



Link to the **installation information** in this section



Link to other **instructions**



Link to the **Water Installation** section



Inspection (e.g. for scratches)



Do not kink hose



Check for leaks and leak-tightness

## Risk of fatal electric shock!

- > The product has to be correctly earthed. Do NOT operate the product without proper grounding.
- > Do NOT remove individual components.
- > Connect the product only to the specified power supply.
- > NEVER touch the power supply cable with wet hands.
- > When working on electric components, disconnect the power supply.
- > If the supply cord is damaged, it must be replaced by the manufacturer, its service agent or similarly qualified persons in order to avoid a hazard.
- > Check rated power and choose cable cross section accordingly.

## Product and/or property damage

- > Do NOT install the product in a room exposed to excessive moisture. Ensure sufficient ventilation to avoid condensation in electric components.
- > Only use the parts in the installation kit to avoid malfunctions.
- > Do NOT use attachments not recommended by Duravit.

## Freezing water

If the room temperature is too low, this can cause damage to the product.

- > Do NOT install the product in rooms where there is a danger of frost. The room temperature must not be less than 4 °C (39 °F).

## Condensation

Condensation may occur when moving from a cold location to a warm location and can cause damage to the product.

- > Leave the unit switched off for a few hours if it has been moved from a cold location to a warm location.

## Standards and regulations

The breach of local and country-specific regulations and standards can cause damage to the product and/or property damage.

- > Local installation regulations, country-specific standards and the Low Voltage Directives shall be observed at all times.

## Mounting instructions

Please read the pre-installation information sheets prior to the installation. These are available to download on the Internet at [www.pro.duravit.com](http://www.pro.duravit.com).

An installation video of the complete shower toilet is available at [www.duravit.com/mnt\\_sewa\\_starck\\_f](http://www.duravit.com/mnt_sewa_starck_f).



Simply use this QR code

### 2 Installation with DuraSystem®

The water connection to the SensoWash® shower toilet can be made via a permanent connection (see diagram 2) or via ductwork in the cistern (generally on a pre-assembled DuraSystem® element, except #WD1010, #WD1009, #WD1007, #WD1005)

- > Use an additional installation kit, see [www.pro.duravit.com](http://www.pro.duravit.com).

### 4 Installing the noise reduction gasket

- > If the noise reduction gasket is included in the delivery, the z thickness must also be taken into consideration: z + 50 mm.
- > Install the noise reduction gasket.

### 20 Choosing and installing mounting clip

- The delivery contains two mounting clips.
- > Choose clip according to cable diameter.

### 25 - 26 Installing interface with actuator plate (optional)

- > Install Interface Set for functional interface with DuraSystem® actuator plate A2.

### 44 + 58 Testing

- > Connect the power and water supply.
- > Confirm that the product functions properly according to the operating instructions.

### 52 Install anti-theft protection

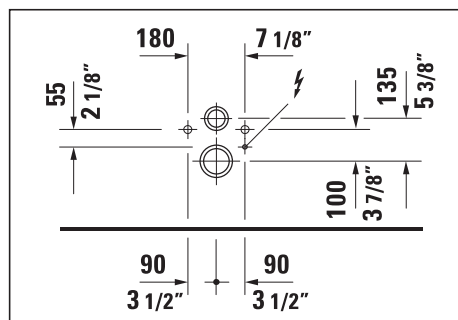
- > To fix the remote control permanently to the wall holder go to step 54.



Rated voltage	220 – 240 V 50 – 60 Hz
Rated power	1080 W
Circuit breaker	$I_N = 16 \text{ A}$

RCD	$I_N = 30 \text{ mA}$
Protection degree	IP X4
Protection class	I

### Position of electrical connection



Set the height of the toilet based on the position of the drain according to the technical drawing of the toilet.

### Pre-installation



**DANGER**

#### Risk of fatal electric shock

- > Disconnect electrical components from the power supply before the installation.
- > Check that all components are de-energised.
- > Prevent the power supply from being switched on accidentally.
- > Ensure that there is no damage to the power supply cable.
  
- > Lay a permanent power supply line which must be on a separate circuit:
  - > Observe the position of the electrical connection
  - > Leave at least 800 mm (31 1/2 ") of feed cable exposed
  
- > Install circuit breaker
  - > The product itself does not have electrical leakage protection function, it must be installed in circuit where there is leakage protection device installed.
  - > Means for disconnection must be incorporated in the fixed wiring in accordance with the wiring rules and having a contact separation in all poles that provide full disconnection under overvoltage category III conditions.

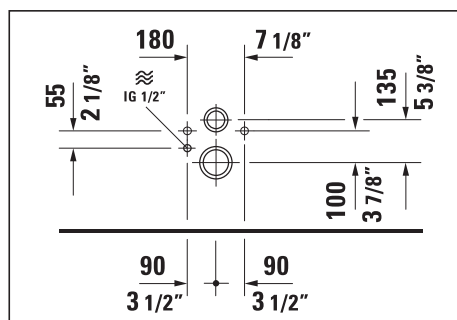
### 22 Connecting the cable

- > Remove the insulation from the wires approximately 10 mm (3/8 ").
- > Connect the 3 wires to the terminal block. Observe the L, N and PE conductors.
- > Confirm that the grounding wire is 10 mm (3/8 ") longer than the L and N wire.



Cold water	DN15 (½ ")
Water pressure	0.07 – 0.75 MPa (10 – 109 psi)
Water hardness	max. 2.4 mmol/l (240 ppm)

### Position of water connection



Set the height of the toilet based on the position of the drain according to the technical drawing of the toilet.

### Pre-installation

- > Install the water connection and water outlet in the specified areas.



### WARNING

#### Health risk and potential product damage!

- > Supply the product with tap water from the main water system only.
- > Do not connect any waste water, grey water, industrial water, sea water or other untreated or semi-treated water.

### NOTICE

#### Product damage due to limescale build-up

In regions with hard water, limescale build-up can impair the performance of the product.

- > Check the water quality in your region. Duravit recommends the installation of a water softener with water hardness  $\geq 14^\circ$  dH (2.5 mmol/l).
- > Make sure to descale the product regularly. The app will send an automatic reminder. Adjust the descaling settings according to the water hardness in your region (→ App: Menu – Care – Descaling).
- > Only use descaling agents provided or approved by Duravit.

Water hardness		Descaling cycle
soft	<8.4° dH (1.5 mmol/l)	every six months
moderate	8.4 – 14° dH (1.5 – 2.5 mmol/l)	every six months
hard	>14° dH (2.5 mmol/l)	quarterly

### 6 Connecting the water

#### NOTICE

#### Avoiding any malfunctions.

- > The new hose-sets supplied with the appliance are to be used and old hose-sets should not be reused.