

D-Neo BTW Toilet Suite

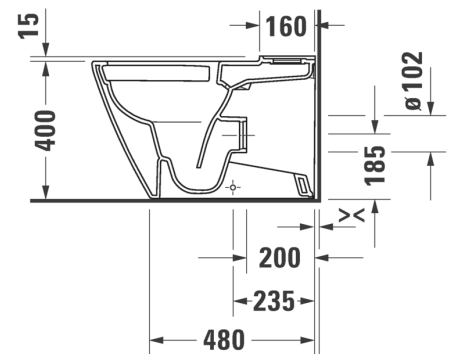
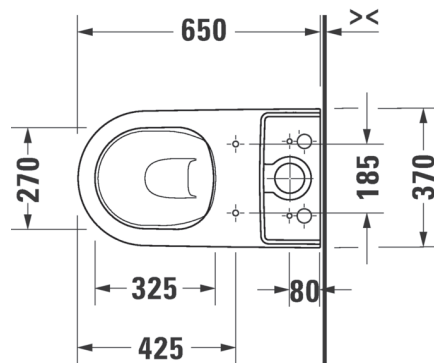
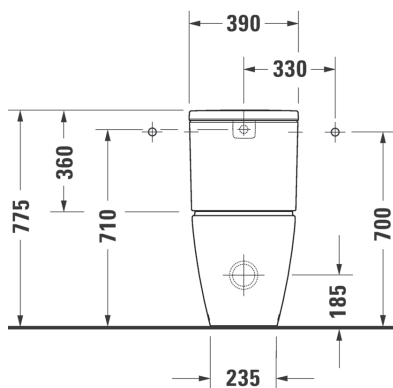
CODE: D2000200



Product Information

Collection	D-Neo	Inclusions	Pan, Cistern, Seat & Connector
Designer	Bertrand Lejoly	Warranty	15 years ceramic / 10 years seat
Colour	White		
Seat	Soft Close		
Trap	S-Trap		
Water Inlet	Rear		
WELS Rating	4 Star		
Water Consumption	4.5/3L (3.3 Avg) Flush		

Technical Diagrams



BATHROOM COLLECTIVE

Phone Number: (02) 9011-5711