

Starck 3 BTW Suite

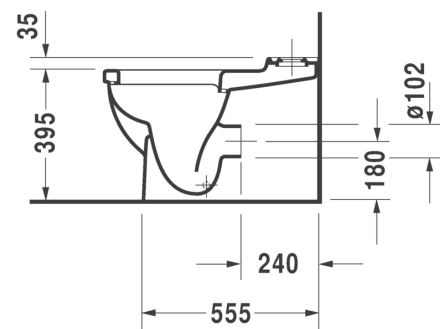
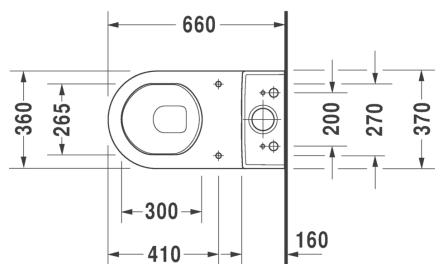
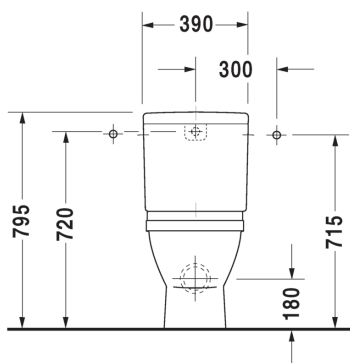
CODE: D1906900



Product Information

Collection	Starck 3	Inclusions	Toilet close-c. Starck 3 white
Designer	Philippe Starck		Cistern Starck 3 White, w.mechanism
Colour	Alpine White		Seat and cover Starck 3, white
Seat	Soft Closing		Vario Bend
Trap	S-Trap - Set Out 70-195mm		Cistern Valve (Stop Cock)
Water Inlet	Rear	Warranty	15 Years (Conditions Apply)
WELS Rating	4 Star		
Water Consumption	4.5/3L (3.3 Avg) Flush		

Technical Diagrams



BATHROOM COLLECTIVE

Phone Number: (02) 9011-5711