

ME By Starck Compact W/H Pan

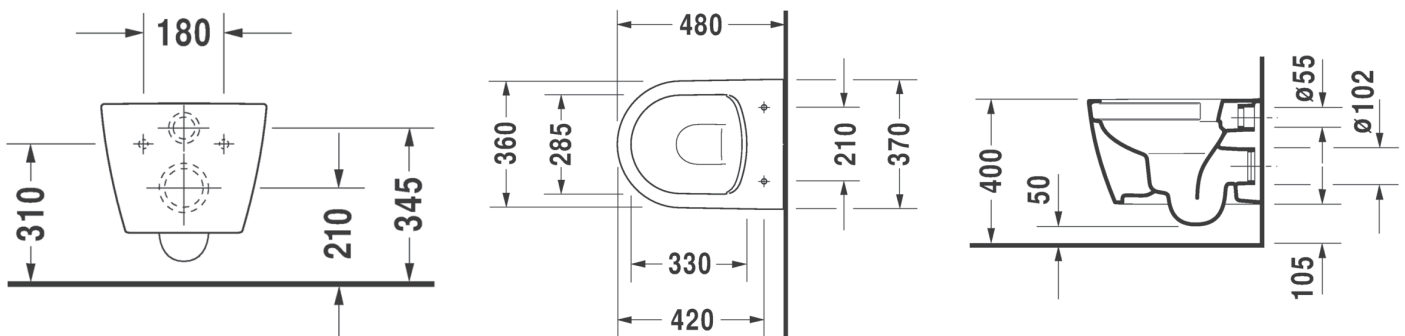
CODE: D4200600



Product Information

Collection	ME by Starck Compact	Inclusions	Toilet WM 480mm ME by Starck white
Designer	Philippe Starck		Seat and cover ME by Starck Compact
Colour	Alpine White	Options	Noise Reduction Gasket
Seat	Soft Closing	Warranty	15 Years (Conditions Apply)
Trap	P-Trap		
WELS Rating	4 Star		
Water Consumption	4.6/3L (3.3 Avg) Flush		

Technical Diagrams



BATHROOM COLLECTIVE

Phone Number: (02) 9011-5711