

# Starck 3 W/H Pan

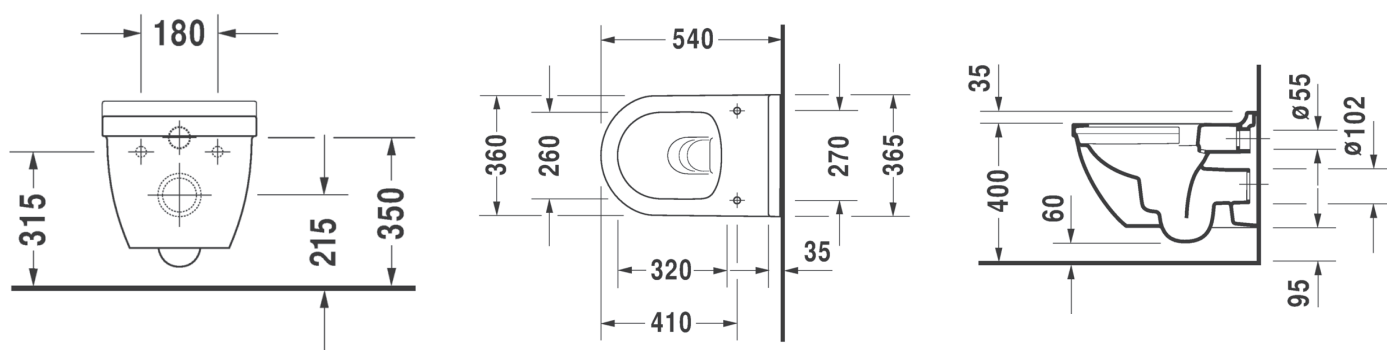
CODE: D2527090



## Product Information

|                          |                        |                   |                                    |
|--------------------------|------------------------|-------------------|------------------------------------|
| <b>Collection</b>        | Starck 3               | <b>Inclusions</b> | Toilet wall mounted 54 cm Starck 3 |
| <b>Designer</b>          | Philippe Starck        |                   | Seat and cover Starck 3, white     |
| <b>Colour</b>            | Alpine White           | <b>Options</b>    | Noise Reduction Gasket             |
| <b>Seat</b>              | Soft Closing           | <b>Warranty</b>   | 15 Years (Conditions Apply)        |
| <b>Trap</b>              | P-Trap                 |                   |                                    |
| <b>WELS Rating</b>       | 4 Star                 |                   |                                    |
| <b>Water Consumption</b> | 4.5/3L (3.3 Avg) Flush |                   |                                    |

## Technical Diagrams



**BATHROOM COLLECTIVE**

Phone Number: (02) 9011-5711