

ME by Starck W/H Pan

CODE: D4252909

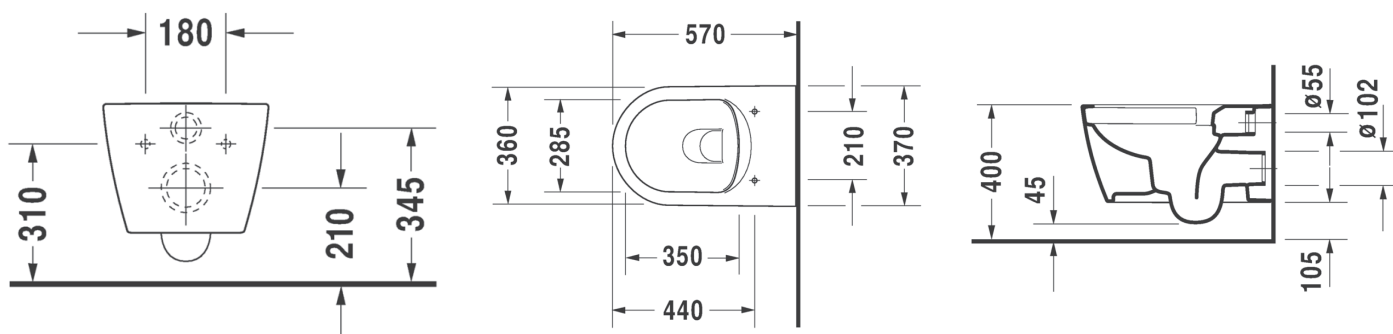


Product Information

Collection	ME by Starck
Designer	Philippe Starck
Colour	Alpine White
Seat	Soft Closing
Trap	P-Trap
WELS Rating	4 Star
Water Consumption	4.6/3L (3.3 Avg) Flush

Inclusions	Toilet w/m 570mm ME by Starck white
	Seat and cover ME by Starck, white
Options	Noise Reduction Gasket (both)
Warranty	15 Years (Conditions Apply)

Technical Diagrams



BATHROOM COLLECTIVE

Phone Number: (02) 9011-5711