

# Qatego Wall Face Pan

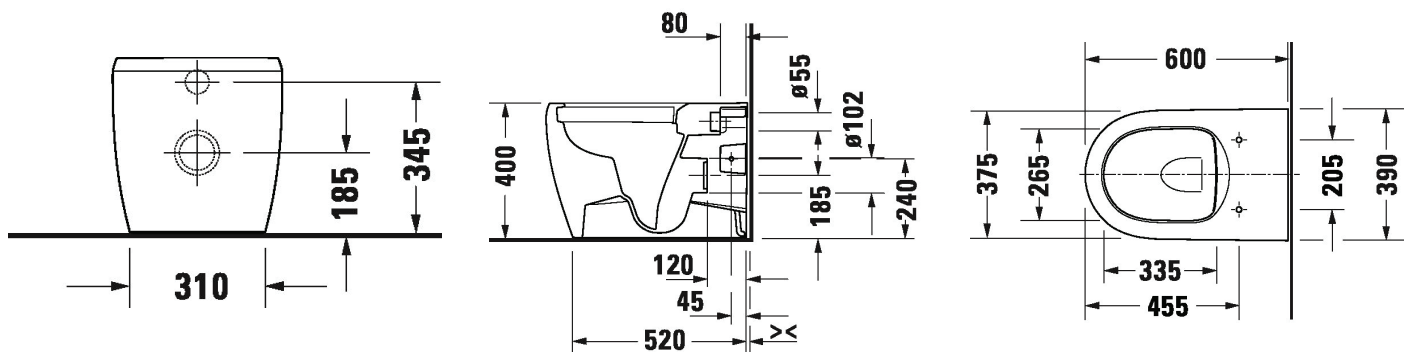
CODE: D7000200



## Product Information

<b>Collection</b>	Qatego	<b>Inclusions</b>	2020090000 0026890000 131777
<b>Designer</b>	Studio F. A. Porsche	<b>Warranty</b>	15 Years (Ceramic) 10 Years (Soft Close Seat)
<b>Colour</b>	Alpine White		
<b>Seat</b>	Soft Close		
<b>Trap</b>	S-Trap 70-110mm Set Out		
<b>Water Inlet</b>	N/A		
<b>WELS Rating</b>	4 Star		
<b>Water Consumption</b>	3.3L		

## Technical Diagrams



**BATHROOM COLLECTIVE**

Phone Number: (02) 9011-5711