

ME by Starck SensoWash® Classic Wall Hung Pan

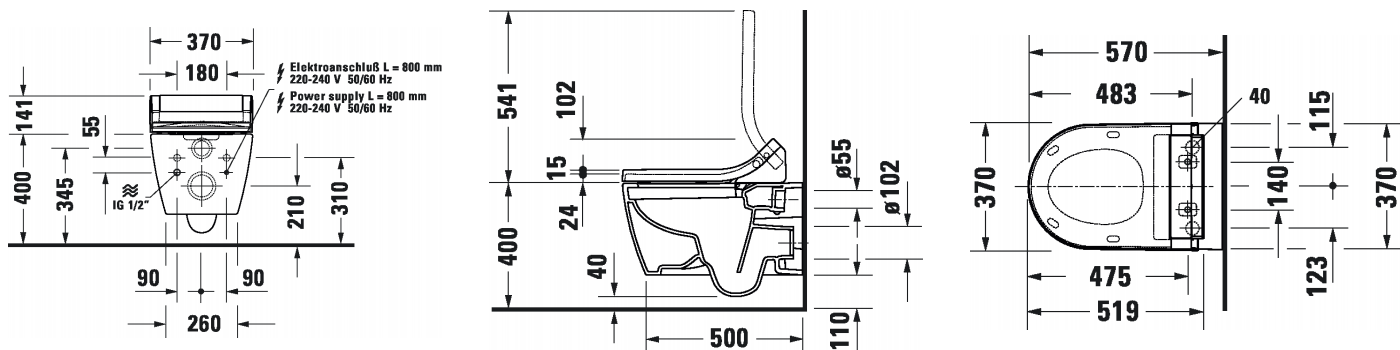
CODE: D4150400



Product Information

Collection	SensoWash®	WELS Rating	4 Star
Designer	Philippe Starck	Water Consumption	4.6/3L (3.3 Avg) Flush
Colour	Alpine White	Inclusions	2529592000 613000012000304
Seat	Remote Soft Close	Warranty	15 Years (Conditions Apply) 3 Years (SensoWash)
Trap	P-Trap		
Rimless	Yes		

Technical Diagrams



BATHROOM COLLECTIVE

Phone Number: (02) 9011-5711