

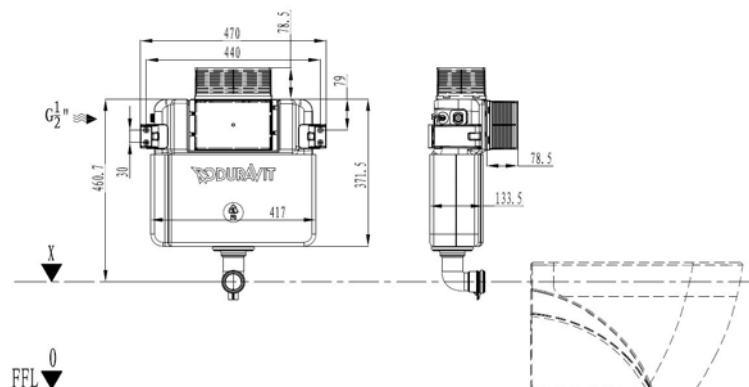
DuraSystem® Low Level In-Wall Cistern



Features

- Top or front actuation available.
- The cistern is made of high toughness, high impact-resistant HDPE material.
- EPS with DURAVIT logo protective layer to protect the cistern and reduce the noise.
- Inlet valve and flush valve pass 200,000 times endurance test, to ensure long-term use.
- Silent valve, comply with the European noise standards class 1.
- 4.5/3L full/half flush.
- Suitable for solid wall or concrete wall installation.

Technical Diagram



BATHROOM COLLECTIVE

Phone Number: (02) 9011-5711

