

# DuraStyle Urinal

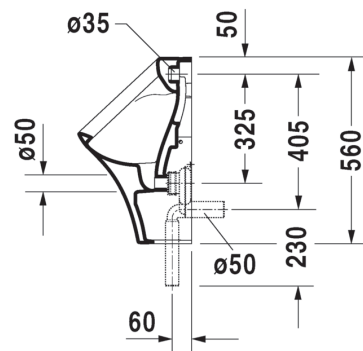
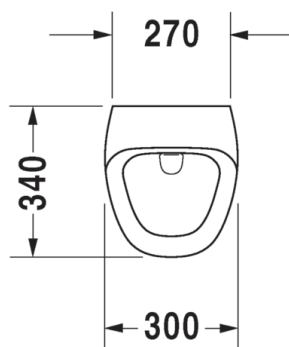
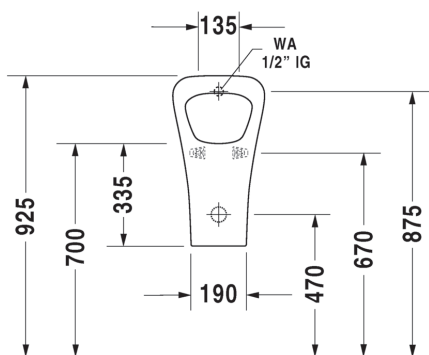
CODE: 2804300000



## Product Information

<b>Collection</b>	DuraStyle	<b>Warranty</b>	15 years parts, 1 year labour (Conditions Apply)
<b>Designer</b>	Matteo Thun	<b>Options</b>	Urinal Screen for Starck 1
<b>Colour</b>	Alpine White		Urinal Screen stainless steel
<b>Water Inlet</b>	Concealed		Siphon vertical
<b>WELS Rating</b>	3 star		Siphon horizontal
<b>Water Consumption</b>	1.9L Per Flush		Water Inlet Mechanism 1/2"

## Technical Diagrams



**BATHROOM COLLECTIVE**

Phone Number: (02) 9011-5711