

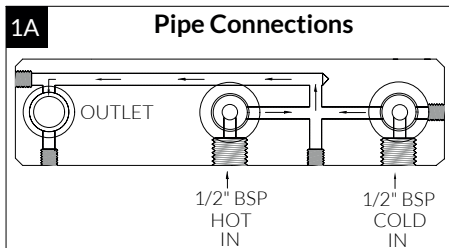
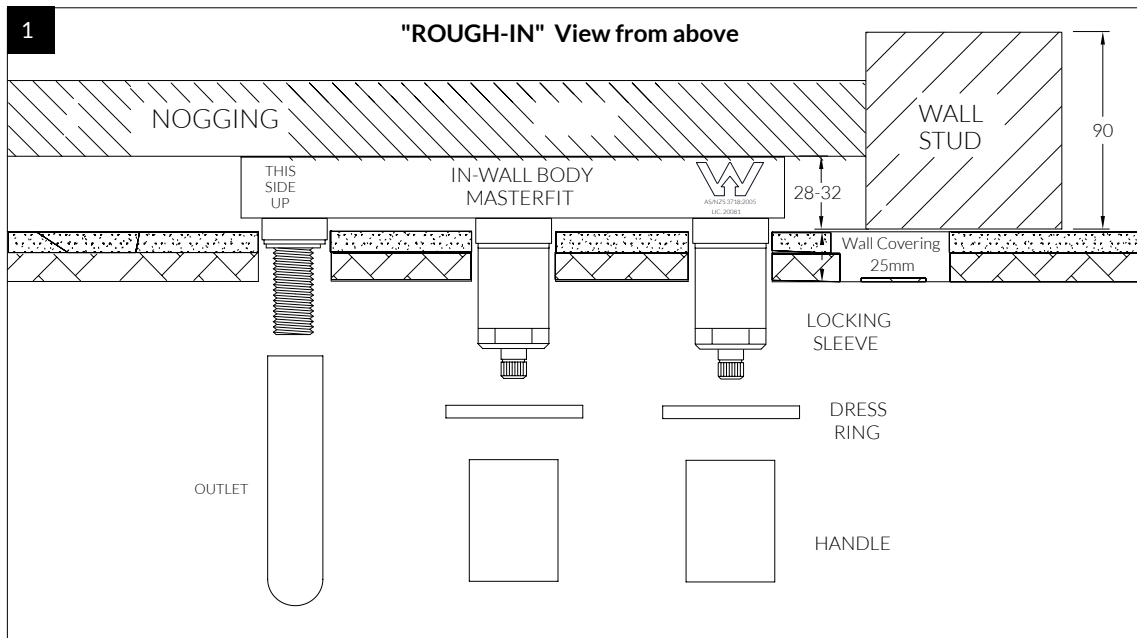
Tapware is to be installed by a Licensed Plumber in accordance with AS/NZS 3500:2003
Recommended working water pressure 300-500 kpa.
Maximum water temperature is 65 deg.c.

INSTALLATION GUIDE

Product code: Available options:
RBHS150/RBHS150-V Wall Bath Hostess System 150mm/Vertex
RBHS200/RBHS200-V Wall Bath Hostess System 200mm/Vertex
RBHS250/RBHS250-V Wall Bath Hostess System 250mm/Vertex

Circa Wall Basin/Bath Hostess System

Product code: Available options:
RWBHS150/RWBHS150-V Wall Basin Hostess System 150mm/Vertex
RWBHS200/RWBHS200-V Wall Basin Hostess System 200mm/Vertex
RWBHS250/RWBHS250-V Wall Basin Hostess System 250mm/Vertex



ROUGH IN PLUMBING (MATERFIT) MOUNTING GUIDE

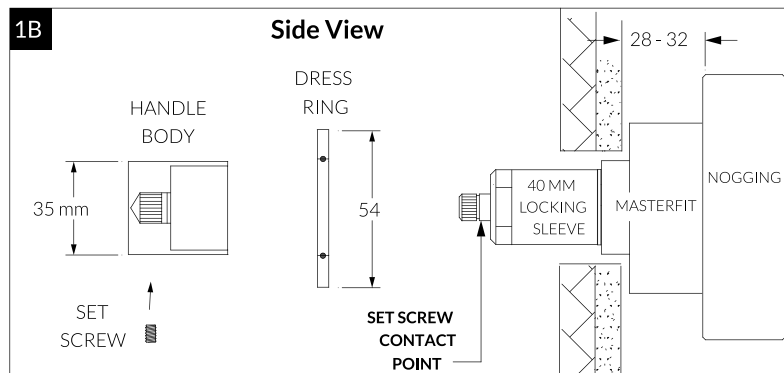
- The Masterfit will be supplied with the Spindles pre-installed.
- Prepare a nogging and secure 28-32mm back from the front Using the screws (x4) of the stud (See Fig.1)
- The Masterfit (in-wall) will be marked "This side Up" to Ensure the Masterfit is indicate orientation.
- Using the screws (x4) provided, mount the Masterfit (in-wall) to the Nogging.
- Ensure the Masterfit is level and square to the Wall Studs.

PIPE CONNECTIONS

- The Masterfit is supplied with coloured thread Caps to protect and identify the Hot and Cold inlet connections.
- All lines must be free from any dirt and debris before connecting to the Masterfit. Flush all water feed lines.
- Connect Hot and Cold lines to the corresponding 1/2" BSP ports of the Masterfit. (See Fig.1A)
- Do not remove or disturb any factory fitted Pressure Plugs or Fixings.
- Once all water connections are made, use the "Spindle Handle Adapter" and check Hot/Cold water operation.
- Check all fittings and connections for leaks.
- Store the Dress Kit in a safe place until required for Fit off.

FITTING OFF

- Seal the wall around the Locking Sleeve and immediately fit the Dress Ring.
- Fit the Handle Body, the Handle Body must be fully engaged onto the Spindle; note the Set Screw contact point. (See Fig.1B)
- Secure the Handle body by tightening the Set screw using the 2mm Allen key provided. (Tighten well)
- After completing the installation, establish water supply, check function of Tapware and ensure no water leaks.



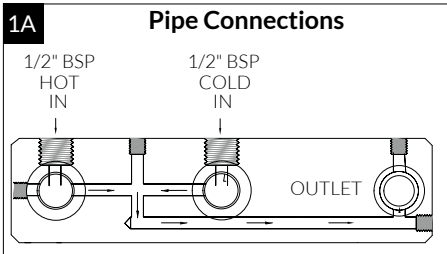
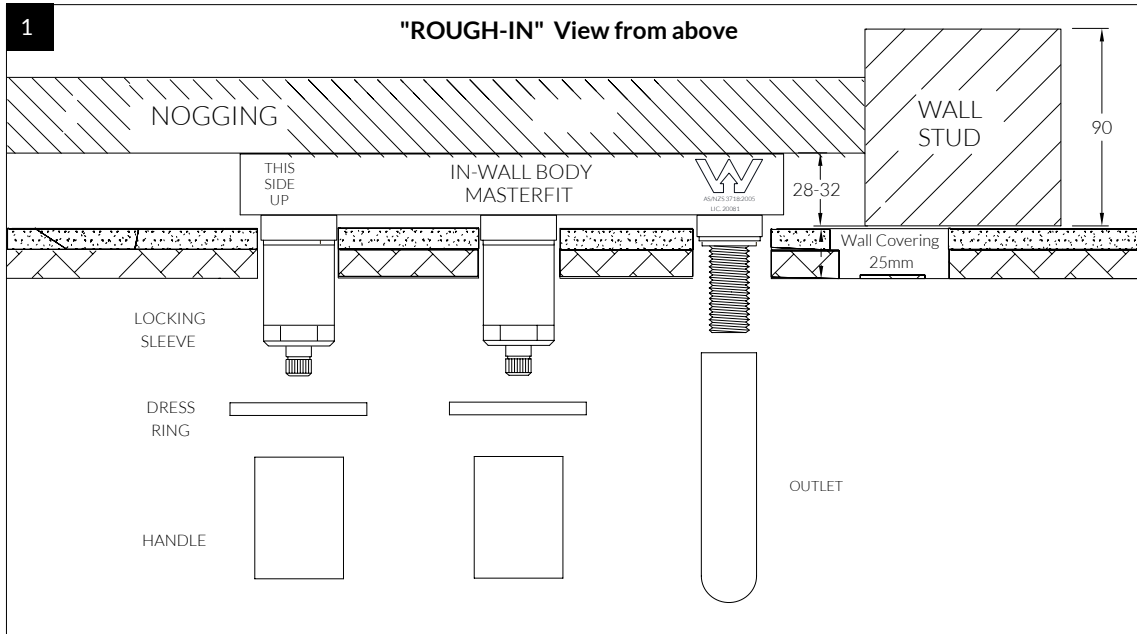
Tapware is to be installed by a Licensed Plumber in accordance with AS/NZS 3500:2003
 Recommended working water pressure 300-500 kpa.
 Maximum water temperature is 65 deg.c.

INSTALLATION GUIDE

Product code: Available options:
 RBHS150/RBHS150-V Wall Bath Hostess System 150mm/Vertex
 RBHS200/RBHS200-V Wall Bath Hostess System 200mm/Vertex
 RBHS250/RBHS250-V Wall Bath Hostess System 250mm/Vertex

Circa Wall Basin/Bath Hostess System

Product code: Available options:
 RWBHS150/RWBHS150-V Wall Basin Hostess System 150mm/Vertex
 RWBHS200/RWBHS200-V Wall Basin Hostess System 200mm/Vertex
 RWBHS250/RWBHS250-V Wall Basin Hostess System 250mm/Vertex



PIPE CONNECTIONS

- The Masterfit is supplied with coloured thread Caps to protect and identify the Hot and Cold inlet connections.
- All lines must be free from any dirt and debris before connecting to the Masterfit. Flush all water feed lines.
- Connect Hot and Cold lines to the corresponding 1/2" BSP ports of the Masterfit. (See Fig.1A)
- Do not remove or disturb any factory fitted Pressure Plugs or Fixings.
- Once all water connections are made, use the "Spindle Handle Adapter" and check Hot/Cold water operation.
- Check all fittings and connections for leaks.
- Store the Dress Kit in a safe place until required for Fit off.

ROUGH IN PLUMBING (MATERFIT) MOUNTING GUIDE

- The Masterfit will be supplied with the Spindles pre-installed.
- Prepare a nogging and secure 28-32mm back from the front Using the screws (x4) of the stud (See Fig.1)
- The Masterfit (in-wall) will be marked "This side Up" to Ensure the Masterfit is indicate orientation.
- Using the screws (x4) provided, mount the Masterfit (in-wall) to the Nogging.
- Ensure the Masterfit is level and square to the Wall Studs.

FITTING OFF

- Seal the wall around the Locking Sleeve and immediately fit the Dress Ring.
- Fit the Handle Body, the Handle Body must be fully engaged onto the Spindle; note the Set Screw contact point. (See Fig.1B)
- Secure the Handle body by tightening the Set screw using the 2mm Allen key provided. (Tighten well)
- After completing the installation, establish water supply, check function of Tapware and ensure no water leaks.

