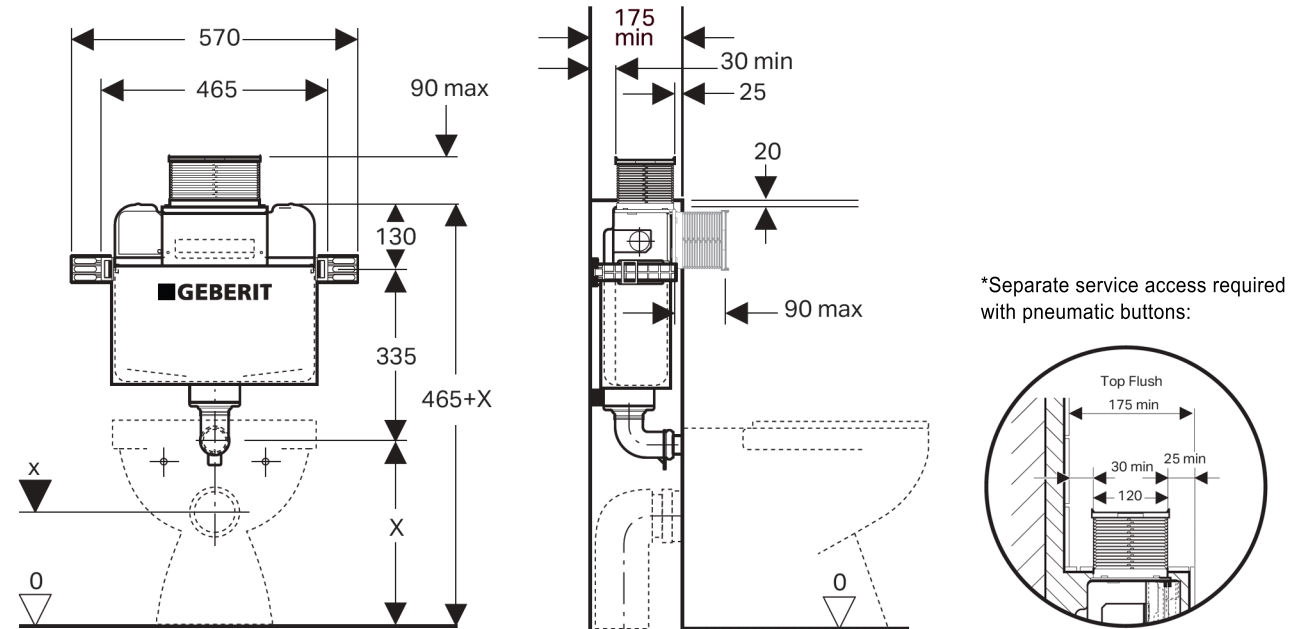


# Kappa Under Counter Concealed Cistern

**GEBERIT**



## Features

High density, impact resistant one-piece blow moulded HDPE tank.

25-year spare parts availability and the 15 year warranty on Geberit cistern tanks and frames provides long-term security.

The dual-flush plate acts as the button and provides the access required for servicing the internal parts of the cistern.

Designed in Switzerland.

## Specifications

<b>Article No.</b>	110.206.00.1 (6/3L)   110.208.00.1 (4.5/3L)
<b>Installation type</b>	Low height in-wall or in vanity
<b>WELS rating</b>	3 Star (6/3L) or 4 Star (4.5/3L)
<b>Pan type</b>	Suits major BTW pans
<b>Standards</b>	Watermark
<b>Operating pressure</b>	10-1000Kpa
<b>Operation</b>	Front or top flush
<b>Warranty</b>	15 years on cistern tank and frame, 3 years on valves
<b>Compatible buttons</b>	Kappa20, Kapa21, Kappa50, Remotes* - in vanity, Sigma plates with Sigma adapter