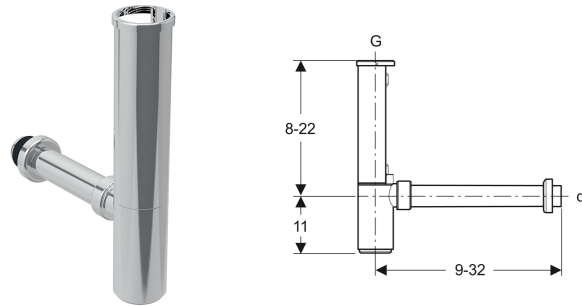


Geberit dip tube trap for washbasin, horizontal outlet



APPLICATION PURPOSES

- For washbasins

CHARACTERISTICS

- Horizontal outlet

TECHNICAL DATA

Depth of water seal	75 mm
Product material	PP

SCOPE OF DELIVERY

- Seals
- Connection bend with collar
- Straight connector, adjustable, with union nut
- Valve cover

Art. no.	Colour / surface	d. \varnothing mm	G "	L cm	h cm
170.130.21.1	bright chrome-plated	40	1 1/2	9-32	8-22

Geberit dip tube trap for washbasin, horizontal outlet

BATHROOM COLLECTIVE

Phone Number: (02) 9011-5711