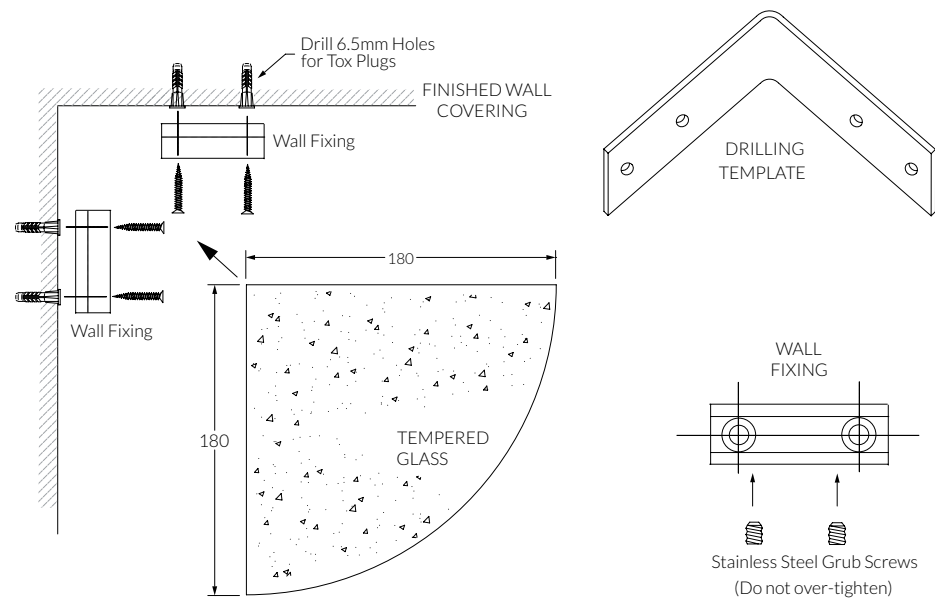


Voda Corner soap dish

SUSSEX



Product code

VCSD140 Corner soap dish

Installation guidelines

The Corner Soap Dish is supplied per-assembled within its packaging.

Fixing hardware and drilling Template for the Corner Soap Dish are provided.

- Position the drilling template into the corner at the desired height.
- While holding the Template, drill the fixing holes using a 6.5mm (1/4") drill bit to one side only.
- Once drilled, insert the Tox plugs and then tighten the template to the wall using the screws.
- Once the template is secured, drill the other set of holes.
- Remove the Template and insert the remaining Tox Plugs.
- Ensure the Tox Plugs are fully inserted.
- Loosen the Stainless Steel Grub Screws using a 2.5mm Hex Key and separate the Wall fixings from the Glass.
- Anchor the Wall fixings to the wall using the provided screws.
- Slide the glass Corner Shelf into the Wall fixings and secure using the Stainless Steel Grub Screws. (Do not over-tighten).

Plumber note

- This product has been designed to fit within a typical corner application.
- Under NO circumstances should this Corner Shelf be fitted using only one Wall Fixing.
- The manufacturer takes no responsibility towards uneven or out of square walls.