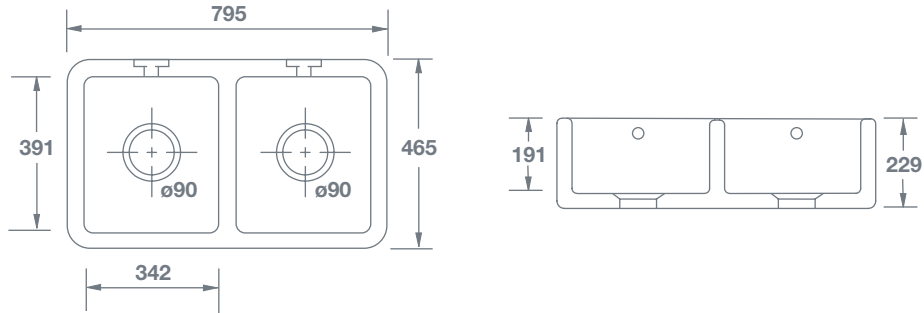


# Double Bowl 800



		Dimensions					
 <b>Double Bowl 800 White</b> with round overflow	SCLD800WH	(mm)	795	465	229	90	35



## BATHROOM COLLECTIVE

Phone Number: (02) 9011-5711

**PLEASE NOTE**, our sink dimensions can vary by a plus or minus of 2%, as they are hand-made and shrink during firing. We therefore recommend that your kitchen fitter is aware of this and that no work surfaces or cabinets are cut before measuring your individual sink. Due to the handcrafted nature and weight of our sinks, we also recommend a specialist kitchen fitter installs your sink and that it is properly supported.

### Features include:

- Compact double bowl apron-front sink with central dividing wall.
- Round overflows.
- Central 90mm waste outlet suitable for basket strainers or waste disposers.
- Chrome 90mm basket strainers included as standard. Special finishes available, sold separately.
- Suits sink grid Type 4 (FT0400010).
- Lifetime residential replacement warranty on sink. Visit Shaws website for more details.