



CONTEMPORARY COLLECTION

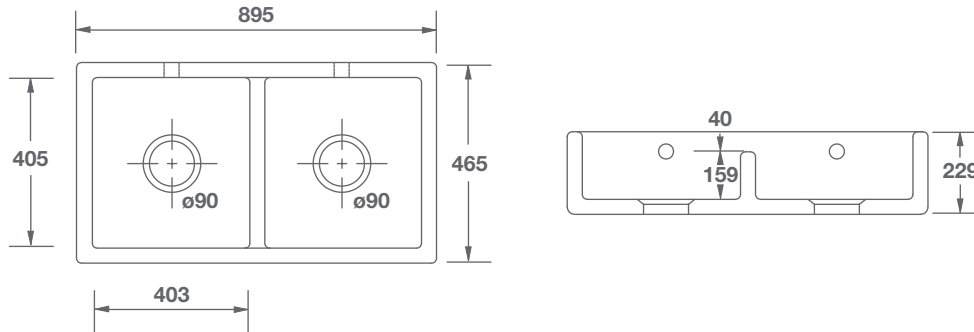
- SHAKER DOUBLE 900 -



FEATURES

Double bowl sink with dropped central dividing wall. Central 90mm waste outlets suitable for basket strainers or waste disposers. Available with or without round overflows. Lifetime warranty.

All our sinks come in gloss white as standard.



Product	Code	Dimensions					
			W	D	H	Waste	Weight
Shaker Double 900	SCSH900WH	(mm)	895	465	229	90	63kg
		(in)	35	18½	9	3½	
Shaker Double 900 - no overflow	SCSH909WH	(mm)	895	465	229	90	63kg
		(in)	35	18½	9	3½	

PLEASE NOTE: Our sink dimensions can vary by a plus or minus of 2%, as they are hand-made and shrink during firing. We therefore recommend that your kitchen fitter is aware of this and that no work surfaces or cabinets are cut before measuring your sink. Due to the handcrafted nature and weight of our sinks, we also recommend a specialist kitchen fitter installs your sink and that it is properly supported.

For expert advice or to purchase, please contact our Customer Service Team on 07 3265 7133

Alternatively, we can be contacted via email at sales@luxebymdesign.com.au

BATHROOM COLLECTIVE

Phone Number: (02) 9011-5711